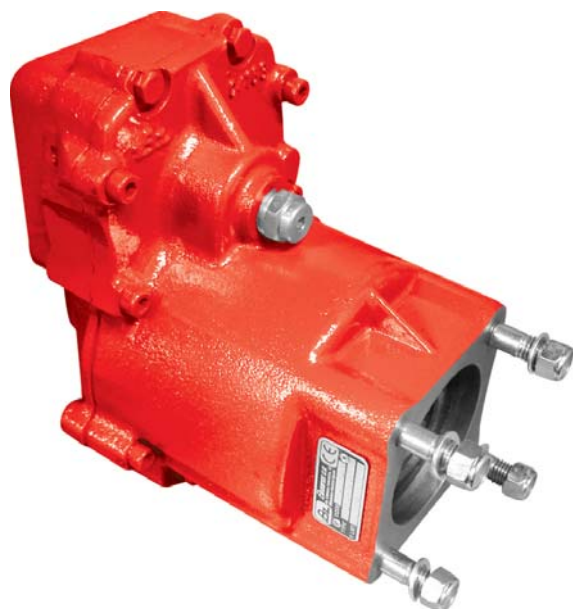


S5-50/90, S6-65/66/70/75/80/90, 6S-800/1000/1200 TD/TO
(Volvo ZTO 1006), 6AS 800/1000TO

Posterior Neumático con Embrague Rear Pneumatic Clutch Shift



Descripción Description

Toma de fuerza de dos piñones, con embrague incorporado y diferentes relaciones internas para montar bombas ISO 4 taladros. Accionamiento neumático, montaje sobre el registro frontal de 4 taladros de la caja de cambios.

Hot shift Power Take-off two gears with different internal ratios to connect Iso 4 bolts pumps. Pneumatic shifting, mounting on rear 4 bolts-window of the Gearbox.

Datos Principales Main Data

Par nominal Torque (Nm)	Continuo Continuous	400
	Intermitente Intermittent	560
Potencia (1000 r.p.m.) Power (HP) 1000 r.p.m		57 C.V // 42 kW
Lado de montaje Mounting position		Posterior Rear
Sentido de giro de la bomba Pump rotation		Derecho Clockwise
Peso Weight (Kg)		21
Relación motor - Toma de Fuerza Engine to PTO ratio	ANEXO ATTACHMENT	

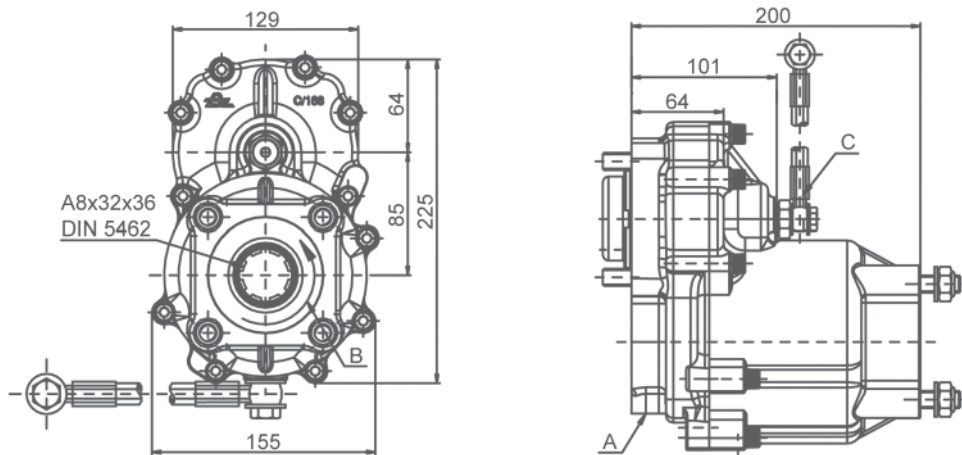
Códigos y Combinaciones Part Numbers and Combinations

Tipos de salida Output types	Eje Shaft	Plato Flange	Bomba Pump (DIN 5462)
Relación Internal Internal ratio	1:1,85	1019102	1019103
	1:1,35	1023702	1023703

No es posible combinar esta toma de fuerza con el eje para cajas de cambios Astronic
This PTO cannot be combined with adapter kit for Astronic gearboxes

S5-50/90, S6-65/66/70/75/80/90, 6S-800/1000/1200 TD/TO
(Volvo ZTO 1006), 6AS 800/1000TO

Posterior Neumático con Embrague Rear Pneumatic Clutch Shift



Notas Notes

A	Toma de aire, rosca 1/4" GAS	A	Air connection, thread 1/4" BSP
B	Sentido de giro	B	Rotation
C	Kit Lubricación 900199	C	Lubrication Kit 900199

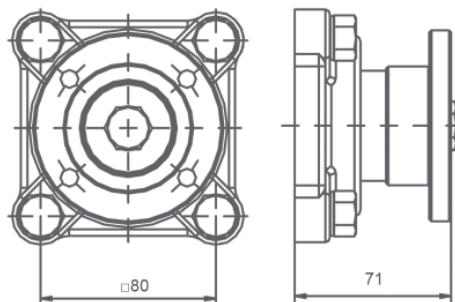
Importante: Una bomba superior a 12 kg. necesita ser instalada sobre soportes
Warning: A pump with a weight over 12 kg. need to be supported by brackets.

Tipos de Salida Output Types

Plato / Flange

SAE: 1100
1300
1400

DIN: 90
100



S5-50/90, S6-65/66/70/75/80/90, 6S-800/1000/1200 TD/TO
(Volvo ZTO 1006), 6AS 800/1000TO

Posterior Neumático con Embrague Rear Pneumatic Clutch Shift

	CAJA GEARBOX	RELACIÓN 1:1,85 RATIO 1:1,85
S5-50	/ 5.30	1: 1,208
	/ 5.50	1: 1,138
	/ 6.20	1: 1,008
	/ 6.61	1: 0,944
	/ 6.61+GV80	Larga High 1: 1,178
	/ 5.30	Normal Normal 1: 0,944
S5-90GP	/ 8.02	1: 0,781
	/ 8.02+GV80/6.20	Larga High 1: 1,008 Normal Normal 1: 0,779
	/ GPA	1: 1,647
S6-65	/ 6.37	1: 1,203
	/ 6.70	1: 1,147
	/ 7.0+GV70/7.67	Larga High 1: 0,844 Normal Normal 1: 0,675
	/ 7.40	1: 1,040
	/ 7.52	1: 1,027
	/ 9.00	1: 0,855
	/ 7.97+GV80/6.70	Larga High 1: 1,147 Normal Normal 1: 0,971
	/ 9.00+GV80/6.70	Larga High 1: 1,147 Normal Normal 1: 0,855
	/ 9.00+GV80/7.52	Larga High 1: 1,025 Normal Normal 1: 0,855
	S6-66	/ 7.36-1.0
/ 9.06-1.0		1: 0,770
/ 6.8		1: 0,951
S6-70	/ 6.8+GV70/5.71	Larga High 1: 1,132 Normal Normal 1: 0,951
	/ 7.36	1: 0,884
	/ 7.92	1: 0,816
	/ 9.03	1: 0,716
S6-75	/ 9.59	1: 0,675
	/ 6.70+GV80/7.52	Normal Normal 1: 1,147 Corta Low 1: 1,025
S6-80	/ 5.03	1: 1,443
	/ 5.66	1: 1,369

	CAJA GEARBOX	RELACIÓN 1:1,85 RATIO 1:1,85
S6-80	/ 5.66+GV80/7.52	Larga High 1: 1,365 Normal Normal 1: 1,029
	/ 6.10	1: 1,273
	/ 6.7	1: 1,147
	/ 6.7+GV80/5.30	Larga High 1: 1,456 Normal Normal 1: 1,147
	/ 6.90	1: 0,953
	/ 7.35	1: 1,021
	/ 7.41	1: 1,042
	/ 7.53	1: 1,027
	/ 7.67	1: 0,999
	/ 7.67+GV80/6.7	Larga High 1: 1,151 Normal Normal 1: 1,005
	/ 7.90	1: 0,971
	/ 9.00	1: 0,851
	/ 9.00+GV80/5.30	Larga High 1: 1,456 Normal Normal 1: 0,855
	/ 9.00+GV80/7.48	Larga High 1: 1,040 Normal Normal 1: 0,855
S6-90	/ 9.00+GV80/7.52	Larga High 1: 1,025 Normal Normal 1: 0,855
	/ 5.67	1: 1,388
	/ 5.74	1: 1,369
	/ 6.37	1: 1,369
	/ 6.98	1: 1,132
	/ 7.03	1: 1,116
	/ 7.03+GV90/5.67	Larga High 1: 1,388 Normal Normal 1: 1,116
	/ 7.03+GV90/5.74	Larga High 1: 1,360 Normal Normal 1: 1,110
	/ 7.40	1: 1,064
	/ 9.01	1: 0,870
S6-75	/ 6.70+GV80/7.52	Larga High 1: 1,060 Normal Normal 1: 0,871
	6S800TO/6.58-0.78(Volvo ZTO 1006)	1: 0,981
6AS 800 TO/6.58-0.78	1: 0,981	
6AS1000TO/6.75-0.78	1: 0,981	
6S1000TO/6.75 - 0.78	1: 0,981	
6S1200TD/7.72 - 1.00	1: 0,999	
6S1200TO/6.75 - 0.83	1: 1,147	

S5-50/90, S6-65/66/70/75/80/90, 6S-800/1000/1200 TD/TO
(Volvo ZTO 1006), 6AS 800/1000TO

Posterior Neumático con Embrague
Rear Pneumatic Clutch Shift

	CAJA GEARBOX	RELACIÓN 1:1,35 RATIO 1:1,35	
S5-50	/ 5.30	1: 0,881	
	/ 5.50	1: 0,830	
	/ 6.20	1: 0,735	
	/ 6.61	1: 0,688	
	/ 6.61+GV80	Larga High 1: 0,859	
	/ 5.30	Normal Normal 1: 0,688	
	/ 8.02	1: 0,569	
S5-90GP	/ 8.02+GV80/6.20	Larga High 1: 0,735 Normal Normal 1: 0,568	
	/ GPA	1: 1,201	
	/ 6.37	1: 0,877	
S6-65	/ 6.70	1: 0,837	
	/ 7.0+GV70/7.67	Larga High 1: 0,615 Normal Normal 1: 0,492	
	/ 7.40	1: 0,758	
	/ 7.52	1: 0,749	
	/ 9.00	1: 0,623	
	/ 7.97+GV80/6.70	Larga High 1: 0,837 Normal Normal 1: 0,708	
	/ 9.00+GV80/6.70	Larga High 1: 0,837 Normal Normal 1: 0,623	
	/ 9.00+GV80/7.52	Larga High 1: 0,747 Normal Normal 1: 0,623	
	S6-66	/ 7.36-1.0	1: 0,704
		/ 9.06-1.0	1: 0,561
/ 6.8		1: 0,693	
S6-70	/ 6.8+GV70/5.71	Larga High 1: 0,826 Normal Normal 1: 0,693	
	/ 7.36	1: 0,645	
	/ 7.92	1: 0,595	
	/ 9.03	1: 0,522	
	/ 9.59	1: 0,492	
S6-75	/ 6.70+GV80/7.52	Normal Normal 1: 0,837 Corta Low 1: 0,747	
	/ 5.03	1: 1,053	
S6-80	/ 5.66	1: 0,999	

	CAJA GEARBOX	RELACIÓN 1:1,35 RATIO 1:1,35
S6-80	/ 5.66+GV80/7.52	Larga High 1: 0,996 Normal Normal 1: 0,750
	/ 6.10	1: 0,928
	/ 6.7	1: 0,837
	/ 6.7+GV80/5.30	Larga High 1: 1,062 Normal Normal 1: 0,837
	/ 6.90	1: 0,695
	/ 7.35	1: 0,745
	/ 7.41	1: 0,760
	/ 7.53	1: 0,749
	/ 7.67	1: 0,729
	/ 7.67+GV80/6.7	Larga High 1: 0,839 Normal Normal 1: 0,733
	/ 7.90	1: 0,708
	/ 9.00	1: 0,621
	/ 9.00+GV80/5.30	Larga High 1: 1,062 Normal Normal 1: 0,623
	/ 9.00+GV80/7.48	Larga High 1: 0,758 Normal Normal 1: 0,623
	/ 9.00+GV80/7.52	Larga High 1: 0,747 Normal Normal 1: 0,623
S6-90	/ 5.67	1: 1,012
	/ 5.74	1: 0,999
	/ 6.37	1: 0,999
	/ 6.98	1: 0,826
	/ 7.03	1: 0,814
	/ 7.03+GV90/5.67	Larga High 1: 1,012 Normal Normal 1: 0,814
	/ 7.03+GV90/5.74	Larga High 1: 0,992 Normal Normal 1: 0,81
	/ 7.40	1: 0,776
	/ 9.01	1: 0,634
	/ 9.01+GV90/7.40	Larga High 1: 0,773 Normal Normal 1: 0,635
6S800TO/6,58-0,78(Volvo ZTO 1006)	1: 0,715	
6AS 800 TO/6.58-0.78	1: 0,715	
6AS1000TO/6.75-0.78	1: 0,715	
6S1000TO/6.75 - 0.78	1: 0,715	
6S1200TD/7.72 - 1.00	1: 0,729	
6S1200TO/6.75 - 0.83	1: 0,837	