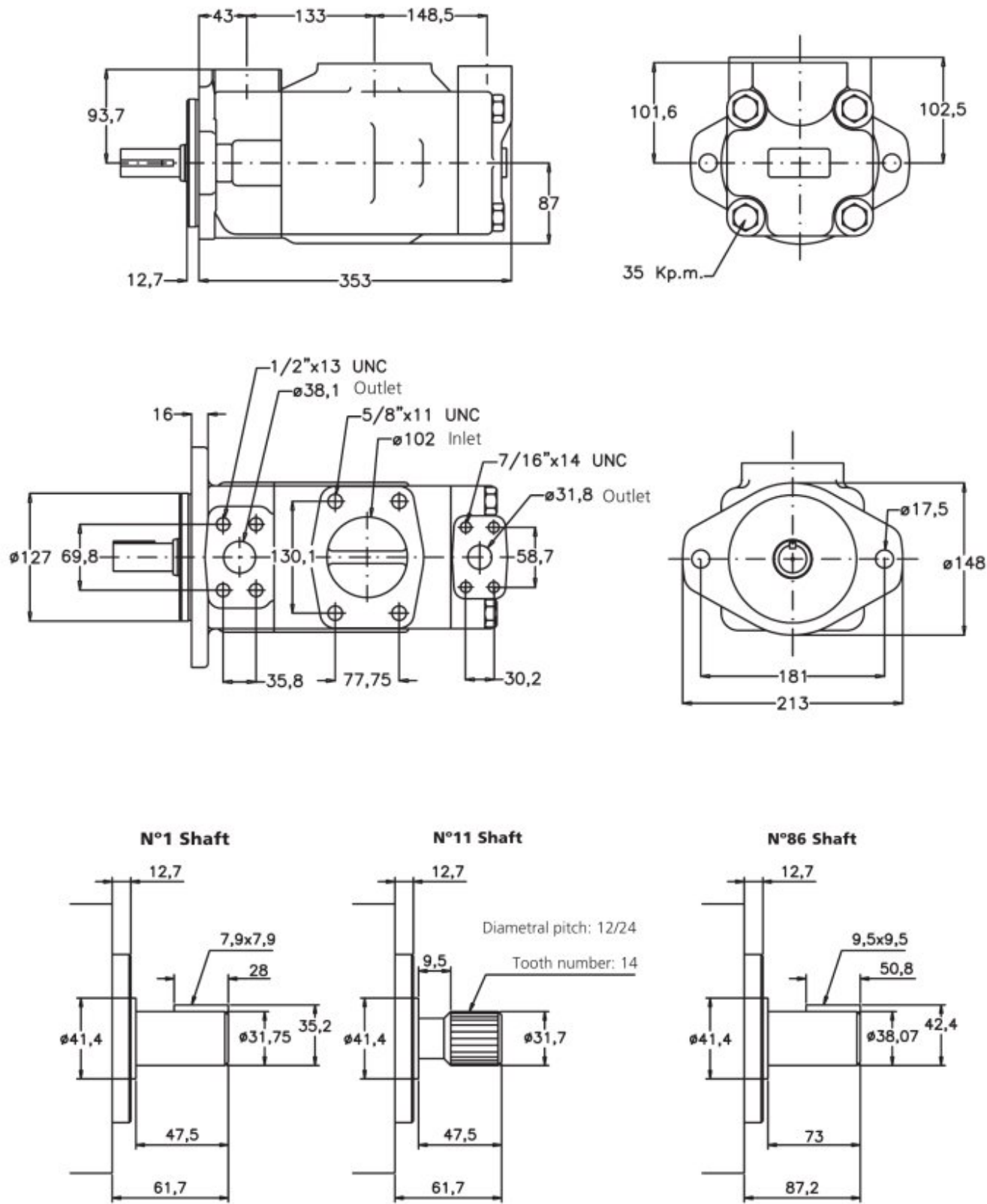


DOUBLE VANE PUMPS VS-76 Y VQ-76

SHAFT END FLOW							SPEED (rpm)		PRES (BAR)		CONNECTION		
Lts. a 1000 rpm	138	148	162	180	193	214	240	Mín.	Máx.	Contin.	Intermit.	Inlet	Outlet
Gal. a 1200 rpm	42	47	50	57	60	67	75	600	2200*	155	175	Ø4"	Ø1.5"

COVER END FLOW							SPEED (rpm)		PRES (BAR)		CONNECTION		
Lts. at 1000 rpm	66	81	97	112	121	142*		Mín.	Max.	Contin.	Intermit.	Inlet	Outlet
Gal. at 1200 rpm	21	25	30	35	38	45*		600	2400*	175	210*	Ø4"	Ø1.25"

DIMENSIONS IN MILLIMETERS 1" = 25.4 mm



Enquire about other types of shafts