

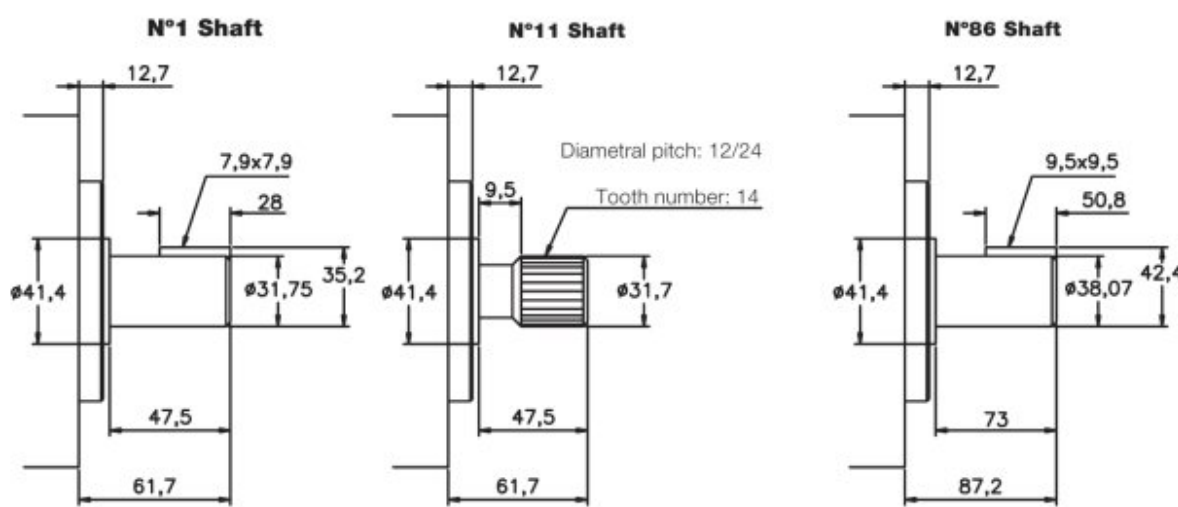
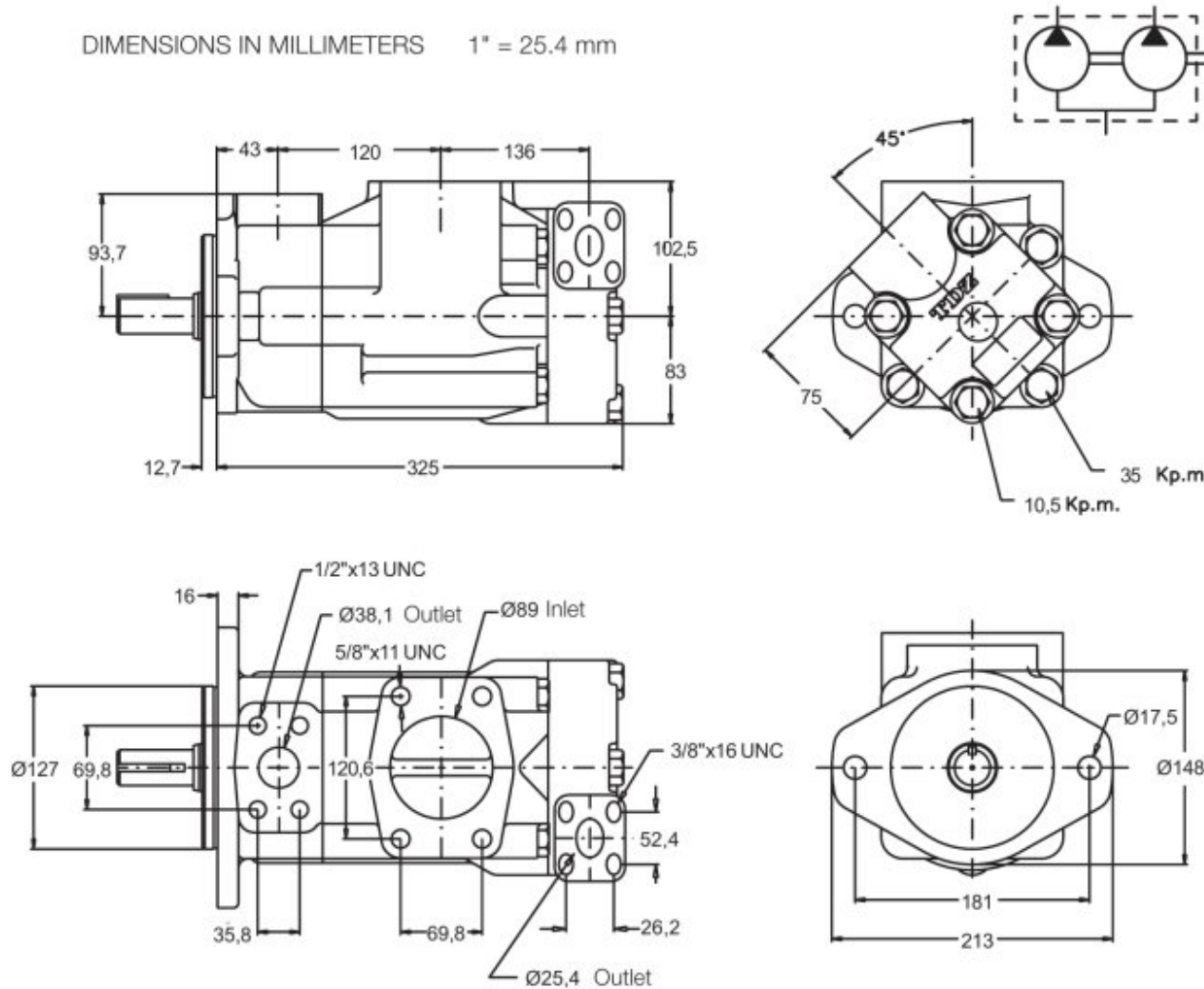
## DOUBLE VANE PUMPS VS-74 Y VQ-74

**DATA SHEET**

SHAFT END FLOW							SPEED (rpm)		PRES (BAR)		CONNECTION		
Lts.a 1000 rpm	138	148	162	180	193	214	240	Min.	Máx.	Contin.	Intermit.	Inlet	Outlet
Gal. a 1200 rpm	42	47	50	57	60	67	75	600	2200*	155	175	Ø3.5"	Ø1.5"

COVER END FLOW								SPEED(rpm)		PRES (BAR)		CONNECTION		
Lts.at 1000 rpm	32	40	45	55	60	67	80*	88*	Min.	Max.	Contin.	Intermit.	Inlet	Outlet
Gal.at 1200 rpm	10	12	14	17	19	21	24*	27*	600	2500*	175	210*	Ø3.5"	Ø1"

DIMENSIONS IN MILLIMETERS 1" = 25.4 mm



Enquire about other types of shafts