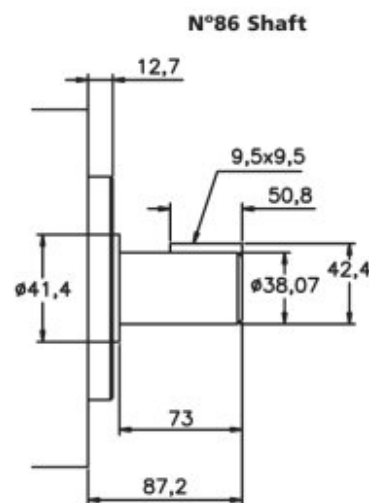
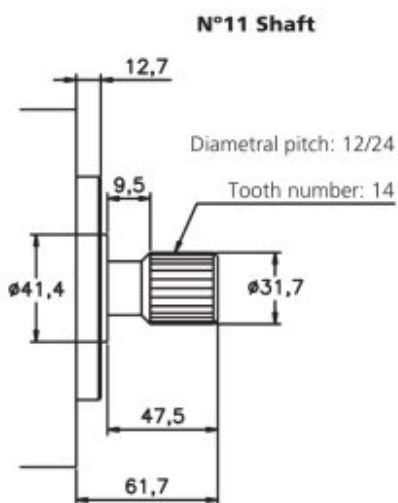
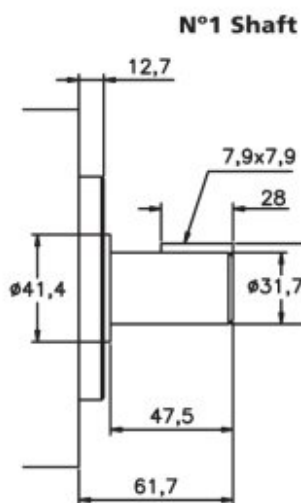
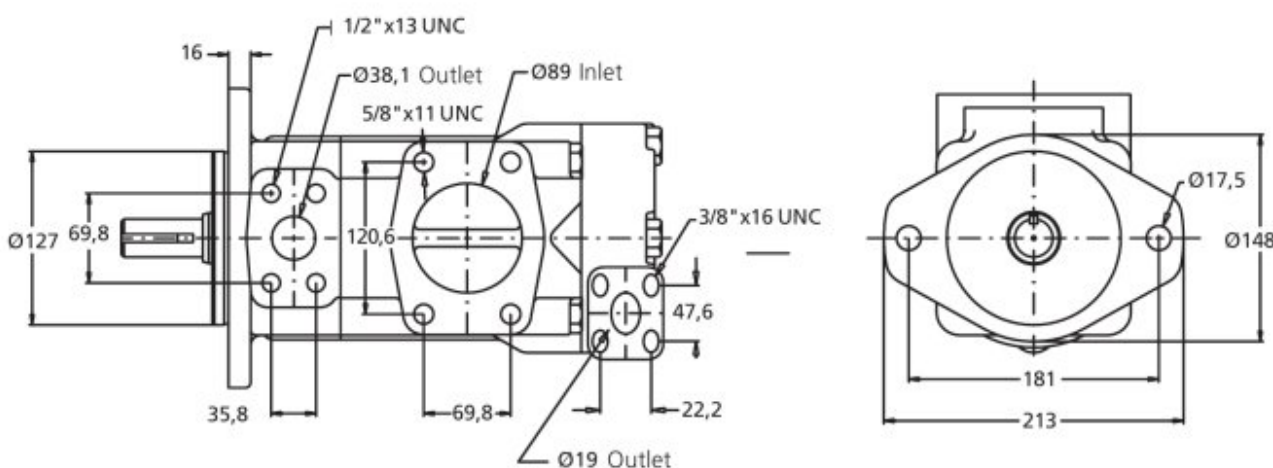
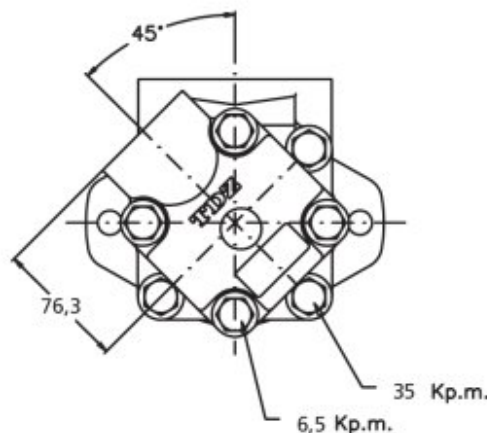
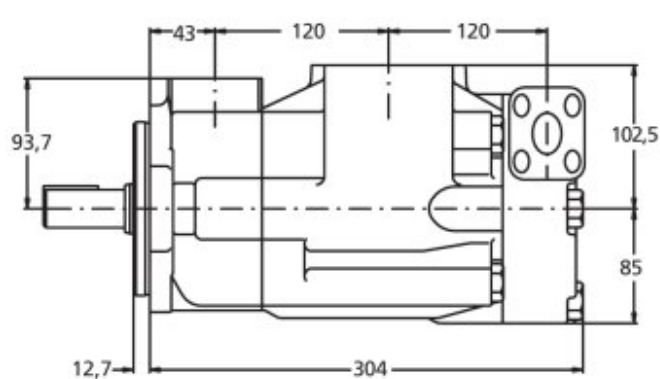


DOUBLE VANE PUMPS VS-73 Y VQ-73

SHAFT END FLOW							SPEED(rpm)		PRES(BAR)		CONNECTION		
Lts.a 1000 rpm	138	148	162	180	193	214	240	Min.	Máx.	Contin.	Intermit.	Inlet	Outlet
Gal. a 1200 rpm	42	47	50	57	60	67	75	600	2200*	155	175	Ø3.5"	Ø1.5"

COVER END FLOW							SPEED (rpm)		PRES (BAR)		CONNECTION		
Lts.at 1000 rpm	8	18	27	29	36	39	46	Min.	Max.	Contin.	Intermit.	Inlet	Outlet
Gal.at 1200 rpm	2	5	8	9	11	12	14	600	2500	175	210	Ø3.5"	Ø 3/4"

DIMENSIONS IN MILLIMETERS 1" = 25.4 mm



Enquire about other types of shafts