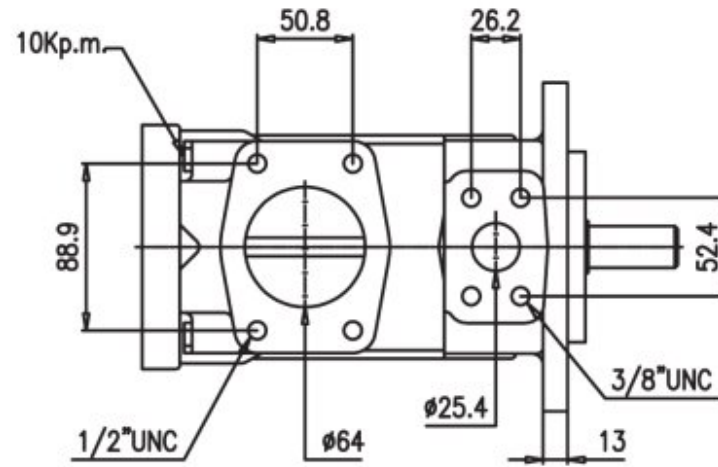
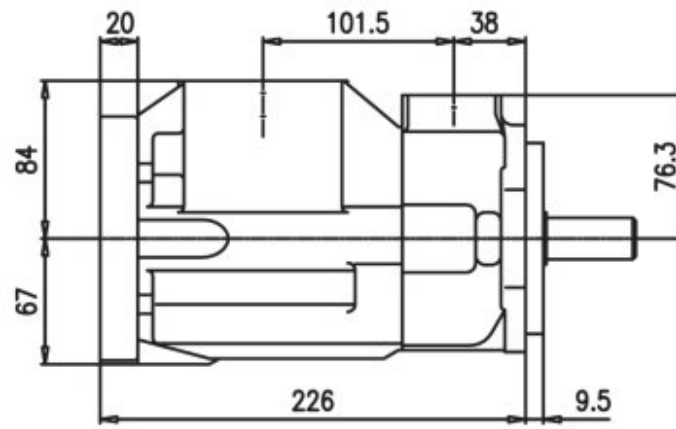
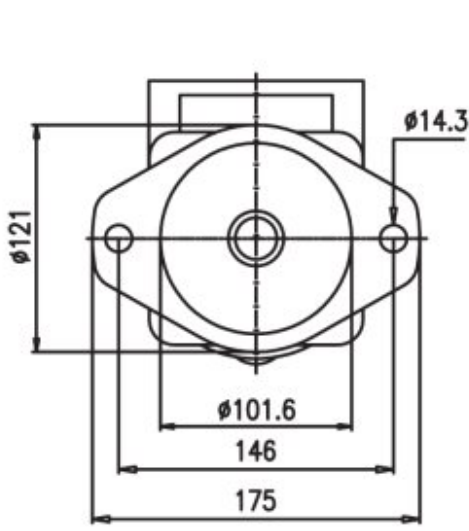
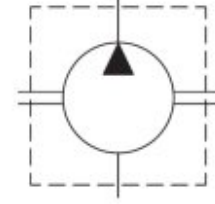
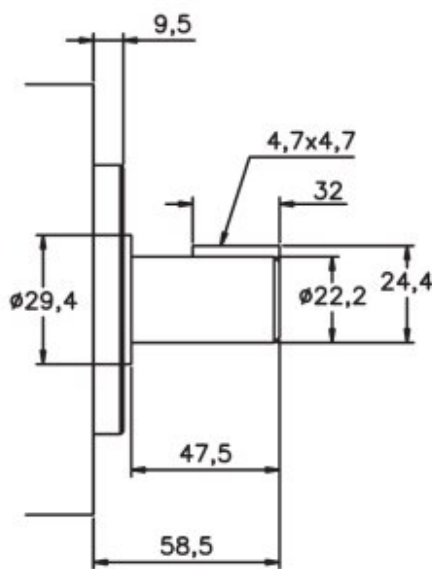


## THRU DRIVE PUMPS VS4T & VQ4T

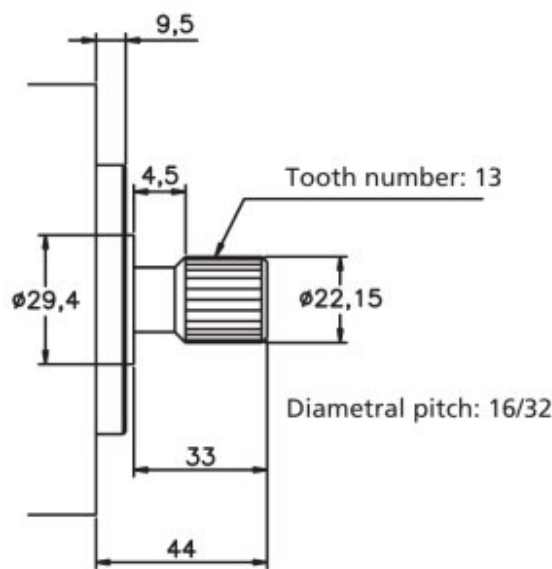
DIMENSIONS IN MILLIMETERS 1" = 25.4 mm



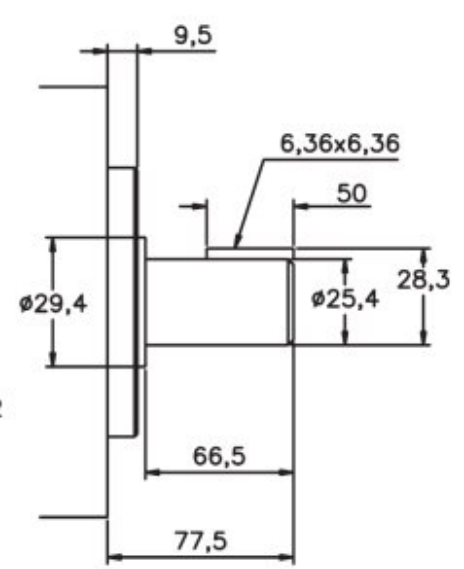
N°1 Shaft



N°11 Shaft



N°86 Shaft



Enquire about other types of shafts