

DT6DCC - OPERATING CHARACTERISTICS

SHAFT END SECTION

| | FLOW | | | | | | | | | | | SPEED (rpm) | | PRESSURE (bar) | |
|---------------------|------|----|----|----|----|-----|-----|-----|-----|-----|-----|-------------|-------|----------------|---------|
| | | | | | | | | | | | | Min. | Máx. | Intermit. | Contin. |
| Lts/min.at 1000 rpm | 48 | 66 | 80 | 90 | 98 | 111 | 120 | 136 | 146 | 158 | 191 | 500 | 2500* | 240 | 210 |
| Gal/min.at 1200 rpm | 14 | 20 | 24 | 28 | 31 | 35 | 38 | 42 | 45 | 50 | 61 | 500 | 2500* | 240 | 210 |

* See page 41 for further information about speed & pressure.

MIDDLE SECTION

| | FLOW | | | | | | | | | | | SPEED (rpm) | | PRESSURE (bar) | | | |
|---------------------|------|----|----|----|----|----|----|----|----|----|----|-------------|------|----------------|---------|-----|------|
| | | | | | | | | | | | | Min. | Máx. | Intermit. | Contin. | | |
| Lts/min.at 1000 rpm | 11 | 17 | 21 | 26 | 34 | 37 | 46 | 58 | 64 | 70 | 79 | 89 | 100 | 500 | 2800* | 275 | 240* |
| Gal/min.at 1200 rpm | 3 | 5 | 6 | 8 | 10 | 12 | 14 | 17 | 20 | 22 | 25 | 28 | 31 | 500 | 2800* | 275 | 240* |

* See page 41 for further information about speed & pressure.

COVER END SECTION

| | FLOW | | | | | | | | | | | SPEED (rpm) | | PRESSURE (bar) | | | |
|---------------------|------|----|----|----|----|----|----|----|----|----|----|-------------|------|----------------|---------|-----|------|
| | | | | | | | | | | | | Min. | Máx. | Intermit. | Contin. | | |
| Lts/min.at 1000 rpm | 11 | 17 | 21 | 26 | 34 | 37 | 46 | 58 | 64 | 70 | 79 | 89 | 100 | 500 | 2800* | 275 | 240* |
| Gal/min.at 1200 rpm | 3 | 5 | 6 | 8 | 10 | 12 | 14 | 17 | 20 | 22 | 25 | 28 | 31 | 500 | 2800* | 275 | 240* |

* See page 41 for further information about speed & pressure.

DT6DCC - FLOW & INPUT POWER DIAGRAMS

SHAFT END

See **DT6D** Single Pumps for flow and input power diagrams (page 44)

MIDDLE BODY

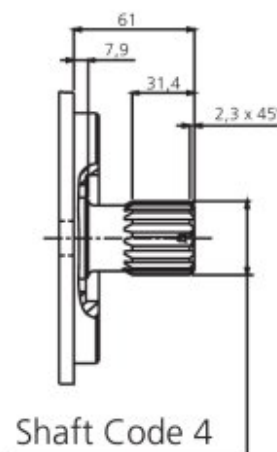
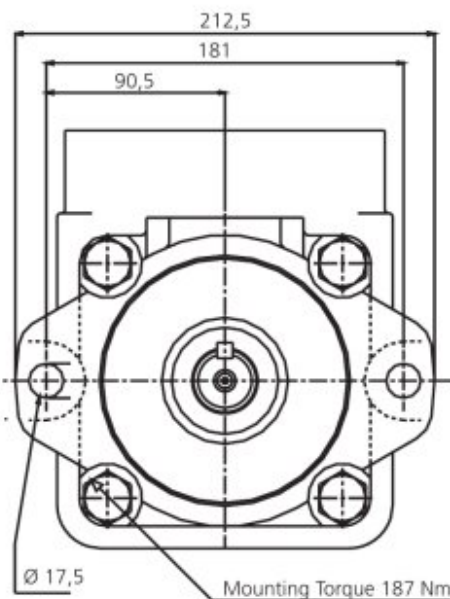
See **DT6C** Single Pumps for flow and input power diagrams (page 42)

COVER END

See **DT6C** Single Pumps for flow and input power diagrams (page 42)

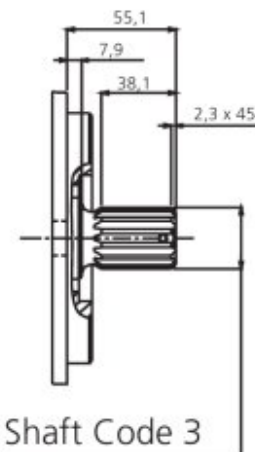
TRIPLE PUMPS DT6DCC - DIMENSIONS

DIMENSIONS IN MILLIMETERS. 1" = 25,4 mm



Shaft Code 4

SAE CC Splined shaft
1-J498b 12/24 d.p. -
17 Teeth
30° Pressure angle



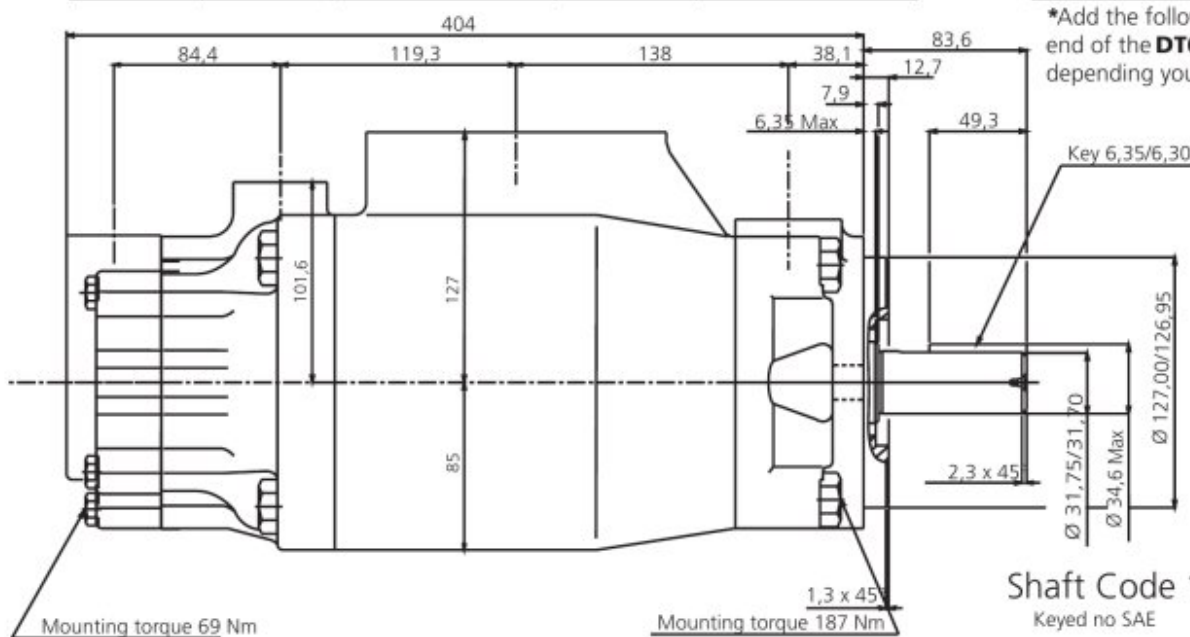
Shaft Code 3

SAE C Splined shaft
1-J498b 12/24 d.p. -
14 Teeth
30° Pressure angle

| Shaft Torque limits (cc/rev x bar) | | | | |
|------------------------------------|------------|----------------------|------------|----------------------|
| Pump | Shaft Code | V x P max (P1+P2+P3) | Shaft Code | V x P max (P1+P2+P3) |
| DT6DCC | 1 | 43240 | 3 | 61200 |
| DT6DCCM | 2 | 66500 | 4 | 66500 |

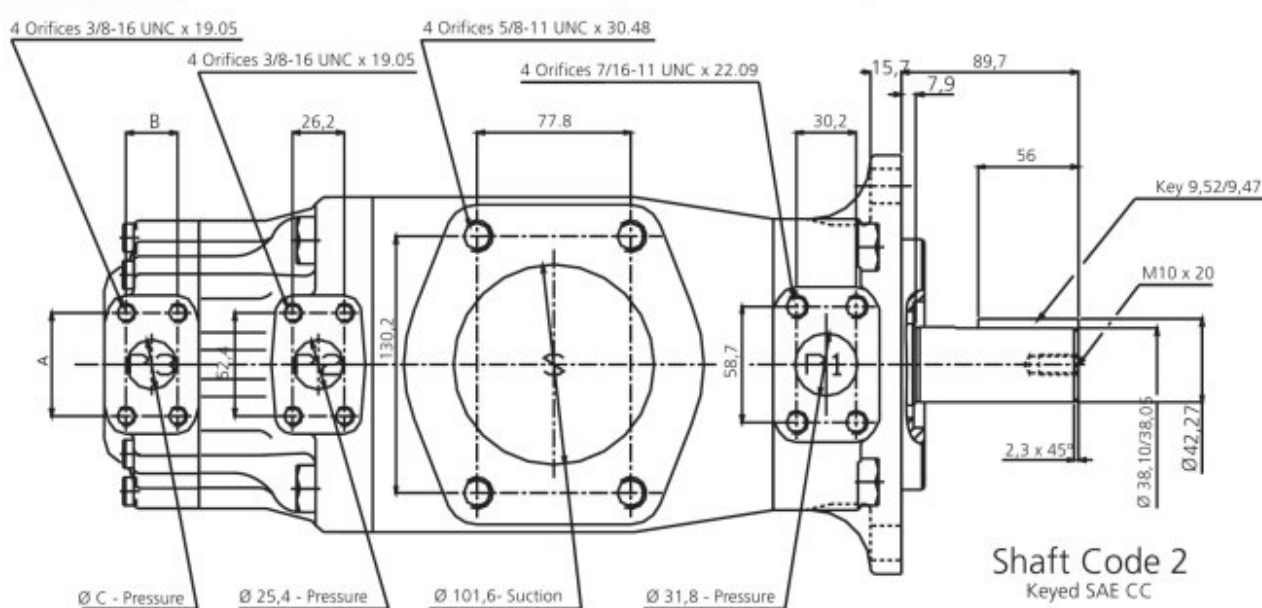
| Alternate Ports | | | | |
|-----------------|------|------|------|------|
| Port | Code | A | B | C |
| P3 | 00* | 52,4 | 26,2 | 25,4 |
| P3 | 01* | 47,6 | 22,1 | 19,0 |

*Add the following numbers at the end of the DT6DCC reference depending your option.



Shaft Code 1

Keyed no SAE



Shaft Code 2

Keyed SAE CC