

## DT6EDC - OPERATING CHARACTERISTICS

### SHAFT END SECTION

	FLOW								SPEED (rpm)		PRESSURE (bar)	
	Lts/min.at 1000 rpm	132	142	156	165	197	213	227	270	Mín.	Máx.	Intermit.
Gal/min.at 1200 rpm	42	45	50	52	62	66	72	85	500	2200*	240	210

\* See page 41 for further information about speed & pressure.

### MIDDLE SECTION

	FLOW											SPEED (rpm)		PRESSURE (bar)	
	Lts/min.at 1000 rpm	48	66	80	90	98	111	120	136	146	158	191	Mín.	Máx.	Intermit.
Gal/min.at 1200 rpm	14	20	24	28	31	35	38	42	45	50	61	500	2500*	240	210

\* See page 41 for further information about speed & pressure.

### COVER END SECTION

	FLOW												SPEED (rpm)		PRESSURE (bar)		
	Lts/min.at 1000 rpm	11	17	21	26	34	37	46	58	64	70	79	89	100	Mín.	Máx.	Intermit.
Gal/min.at 1200 rpm	3	5	6	8	10	12	14	17	20	22	25	28	31	500	2800*	275	240*

\* See page 41 for further information about speed & pressure.

## DT6EDC - FLOW & INPUT POWER DIAGRAMS

### SHAFT END

See **DT6E** Single Pumps for flow and input power diagrams (page 46)

### MIDDLE BODY

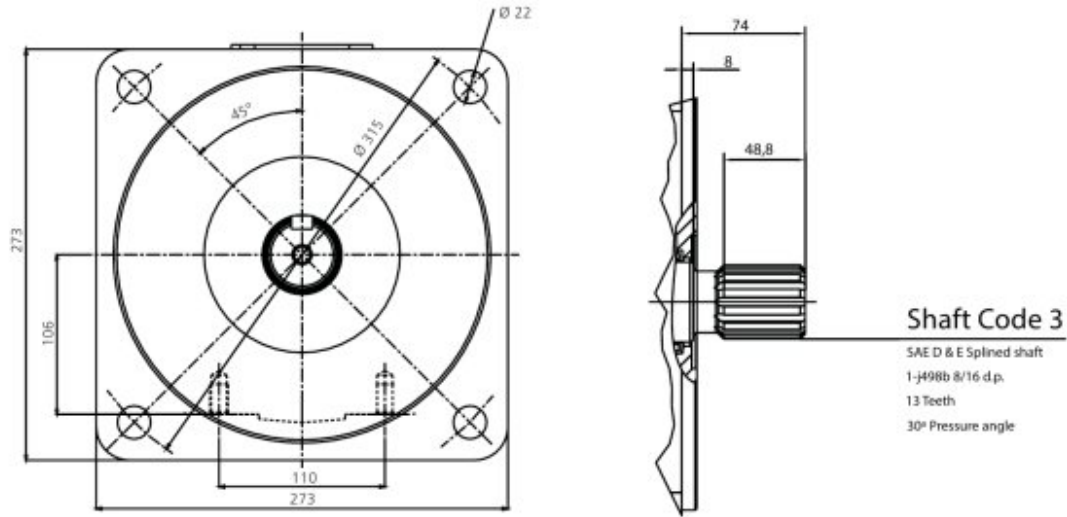
See **DT6D** Single Pumps for flow and input power diagrams (page 44)

### COVER END

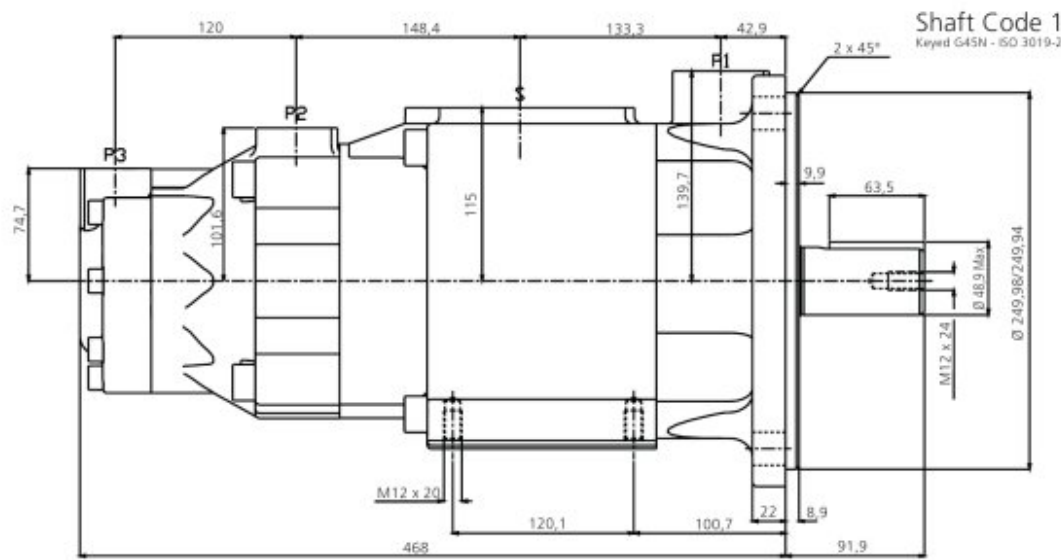
See **DT6C** Single Pumps for flow and input power diagrams (page 42)

## TRIPLE PUMPS DT6EDC/DT6EDCM - DIMENSIONS

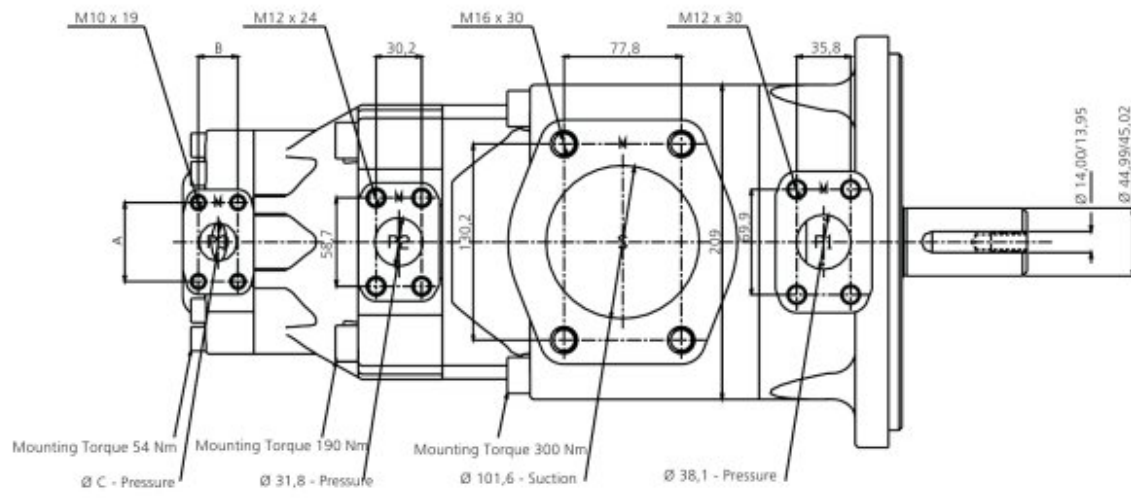
DIMENSIONS IN MILLIMETERS. 1" = 25,4 mm



**Shaft Code 3**  
 SAE D & E Splined shaft  
 1-J498b 8/16 d.p.  
 13 Teeth  
 30° Pressure angle



**Shaft Code 1**  
 Keyed G45N - ISO 3019-2



Alternative ports				
Port	Code	A	B	C
P3	00*	52,4	26,2	25,4
P3	01*	47,6	22,1	19,0

\*Add the following numbers at the end of the **T6EDC** reference depending your option.

Please, contact **TDZ** for special shaft codes not included in this catalogue.

**0 - \***  
 Modifications  
 Mounting w/connection variables  
 0 = P3 = 1" SAE  
 1 = P3 = 3/4" SAE