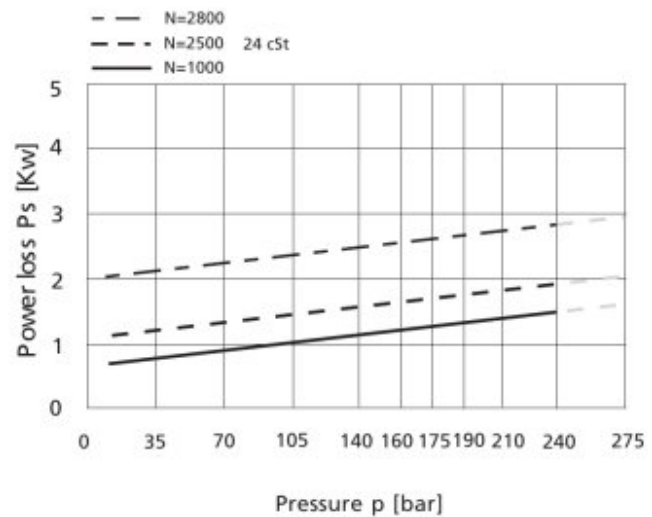
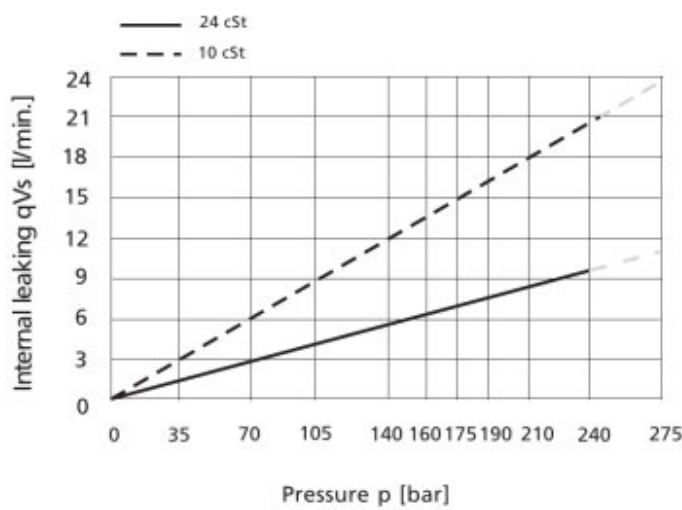
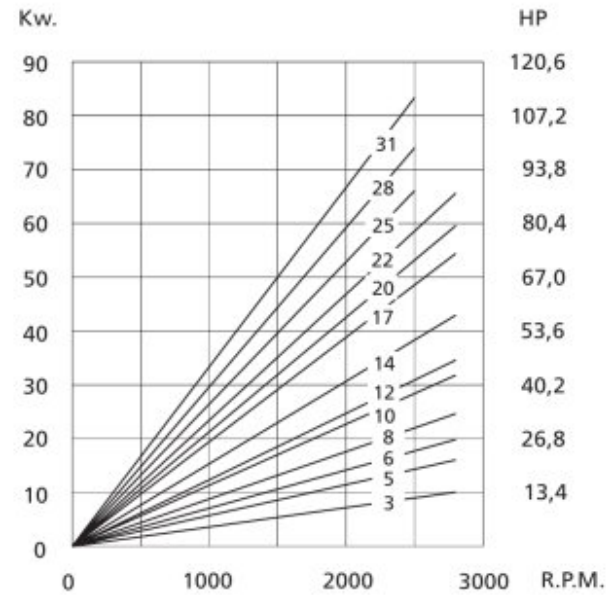
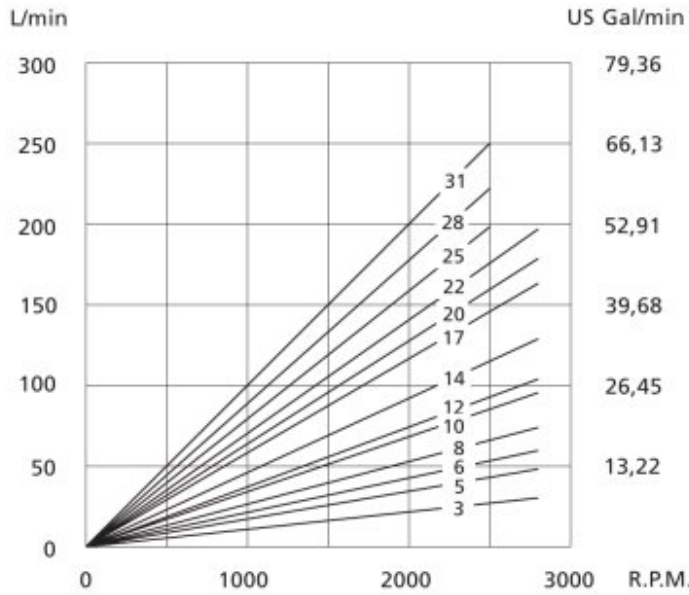


DT6GC OPERATING CHARACTERISTICS

DATA SHEET

	FLOW										SPEED (rpm)		PRESSURE (bar)		WEIGHT (Kgs.)			
	Lts/min.at 1000 rpm	11	17	21	26	34	37	46	58	64	70	79	89	100		Min.	Máx.	Intermit.
Gal/min.at 1200 rpm	3	5	6	8	10	12	14	17	20	22	25	28	31	700	2800	275	240	18

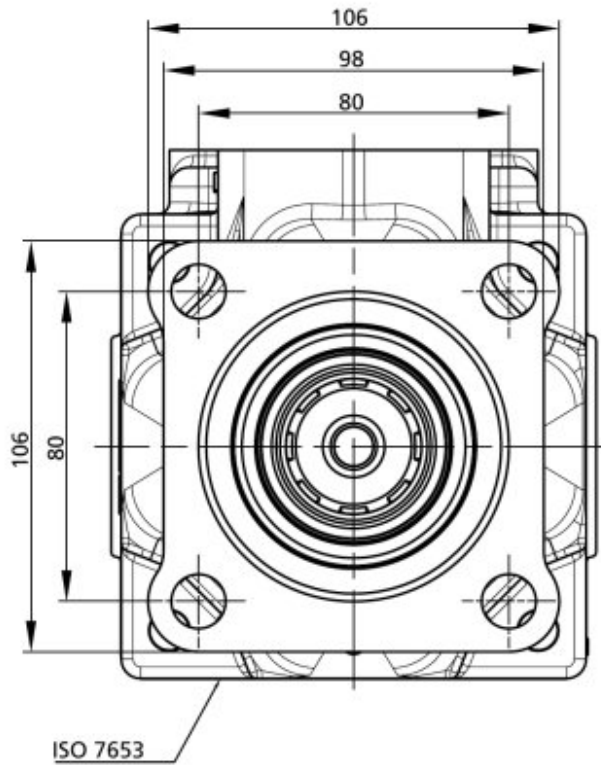
* See page 41 for further information about speed & pressure.



Do not operate pump more than 5 seconds at any speed or viscosity if internal leakage is more than 50 % of theoretical flow

DIMENSIONS - SINGLE VANE PUMPS DT6GC

DIMENSIONS IN MILLIMETERS. 1" = 25,4 mm



Suction and Pressure ports options

	ØD1	ØD3	L1	L2
COVER	1" 1/2 SAE	1/2"-13H UNC	69,85	35,7
	1" 1/2 SAE	M12	69,85	35,7

	ØD2	ØD4	L3	L4
FLANGE	1" SAE	3/8"-16H UNC	52,4	26,2
	1" SAE	M10	52,4	26,2
	1" BSP	_____	_____	_____
	3/4" BSP	_____	_____	_____

