

DOUBLE PUMPS DT6GCC - OPERATING CHARACTERISTICS

SHAFT END SECTION

FLOW											SPEED (rpm)		PRESSURE (bar)				
Lts/min.at 1000 rpm	11	17	21	26	34	37	46	58	64	70	79	89	100	Min.	Máx.	Intermit.	Contin.
Gal/min.at 1200 rpm	3	5	6	8	10	12	14	17	20	22	25	28	31	700	2800*	275	240*

* See page 41 for further information about speed & pressure.

COVER END SECTION

FLOW											SPEED (rpm)		PRESSURE (bar)				
Lts/min.at 1000 rpm	11	17	21	26	34	37	46	58	64	70	79	89	100	Min.	Máx.	Intermit.	Contin.
Gal/min.at 1200 rpm	3	5	6	8	10	12	14	17	20	22	25	28	31	700	2800*	275	240*

* See page 41 for further information about speed & pressure.

DT6GCC - FLOW & INPUT POWER DIAGRAMS

SHAFT END

See **DT6GC** Single Pumps for flow and input power diagrams (page 42)

COVER END

See **DT6GC** Single Pumps for flow and input power diagrams (page 42)

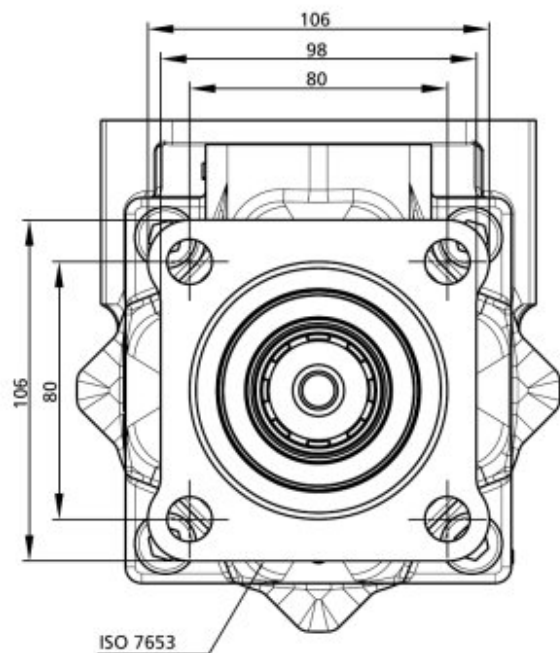


Bezares Group

DT6GCC DOUBLE VANE PUMPS

DOUBLE PUMPS DT6GCC - DIMENSIONS - WEIGHT: 29 Kg

DIMENSIONS IN MILLIMETERS. 1" = 25,4 mm



COVER

Suction and Pressure ports options

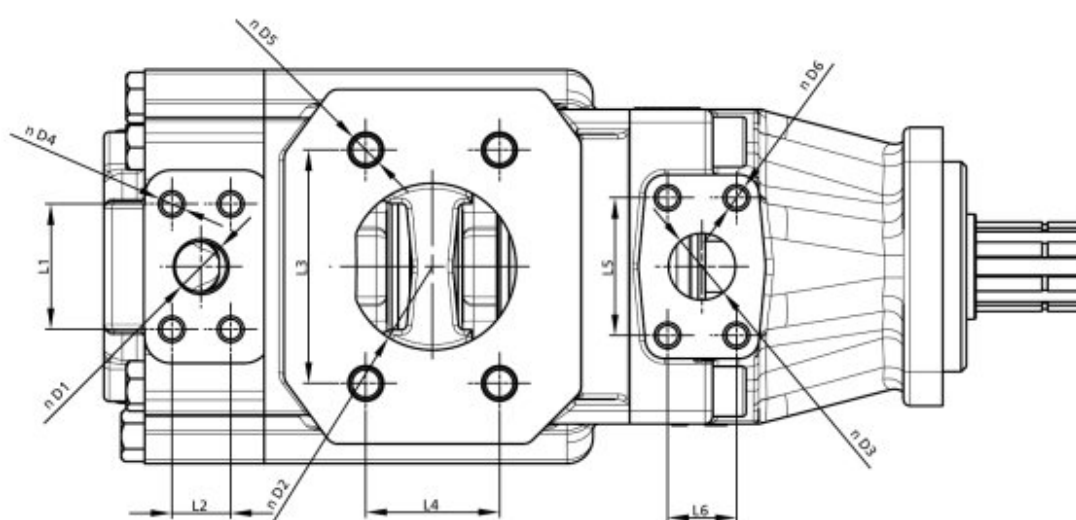
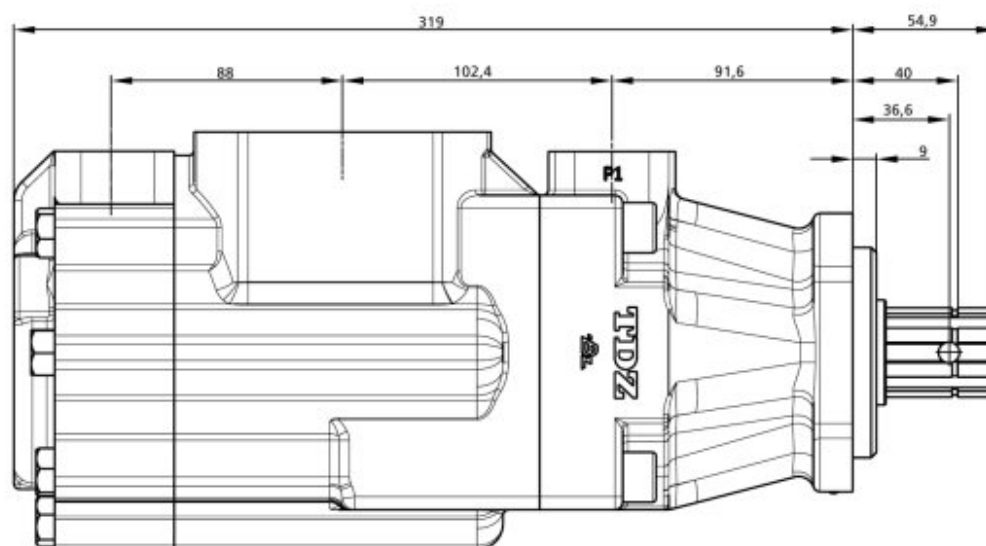
Ø D1	Ø D4	L1	L2
1" SAE	3/8"-16H UNC	69,85	35,7
1" SAE	M10	69,85	35,7
3/4" SAE	3/8"-16H UNC	47,6	22,2
3/4" SAE	M10	47,6	22,2

MIDDLE BODY

Ø D2	Ø D5	L3	L4
2" 1/2 SAE	1/2"-13H UNC	88,9	50,8
3" SAE	5/8"-16H UNC	106,4	61,9
2" 1/2 SAE	M12	88,9	50,8
3" SAE	M16	106,4	61,9

FLANGE

Ø D3	Ø D6	L5	L6
1" SAE	1/4"-16H UNC	52,4	26,2
1" SAE	M10	52,4	26,2
1" BSP			
3/4" BSP			



bezares.com | tdz.com

DATA SHEET