

DT6ED - OPERATING CHARACTERISTICS

SHAFT END SECTION

| | FLOW | | | | | | | | SPEED (rpm) | | PRESSURE (bar) | |
|---------------------|---------------------|-----|-----|-----|-----|-----|-----|-----|-------------|-------|----------------|-----------|
| | Lts/min.at 1000 rpm | 132 | 142 | 156 | 165 | 197 | 213 | 227 | 270 | Mín. | Máx. | Intermit. |
| Gal/min.at 1200 rpm | 42 | 45 | 50 | 52 | 62 | 66 | 72 | 85 | 500 | 2200* | 240 | 210 |

* See page 41 for further information about speed & pressure.

COVER END SECTION

| | FLOW | | | | | | | | | | | | SPEED (rpm) | | PRESSURE (bar) | |
|---------------------|---------------------|----|----|----|----|----|-----|-----|-----|-----|-----|-----|-------------|------|----------------|---------|
| | Lts/min.at 1000 rpm | 48 | 66 | 80 | 90 | 98 | 111 | 120 | 136 | 146 | 158 | 191 | Mín. | Máx. | Intermit. | Contin. |
| Gal/min.at 1200 rpm | 14 | 20 | 24 | 28 | 31 | 35 | 38 | 42 | 45 | 50 | 61 | 500 | 2500* | 240 | 210 | |

* See page 41 for further information about speed & pressure.

DT6ED - FLOW & INPUT POWER DIAGRAMS

SHAFT END

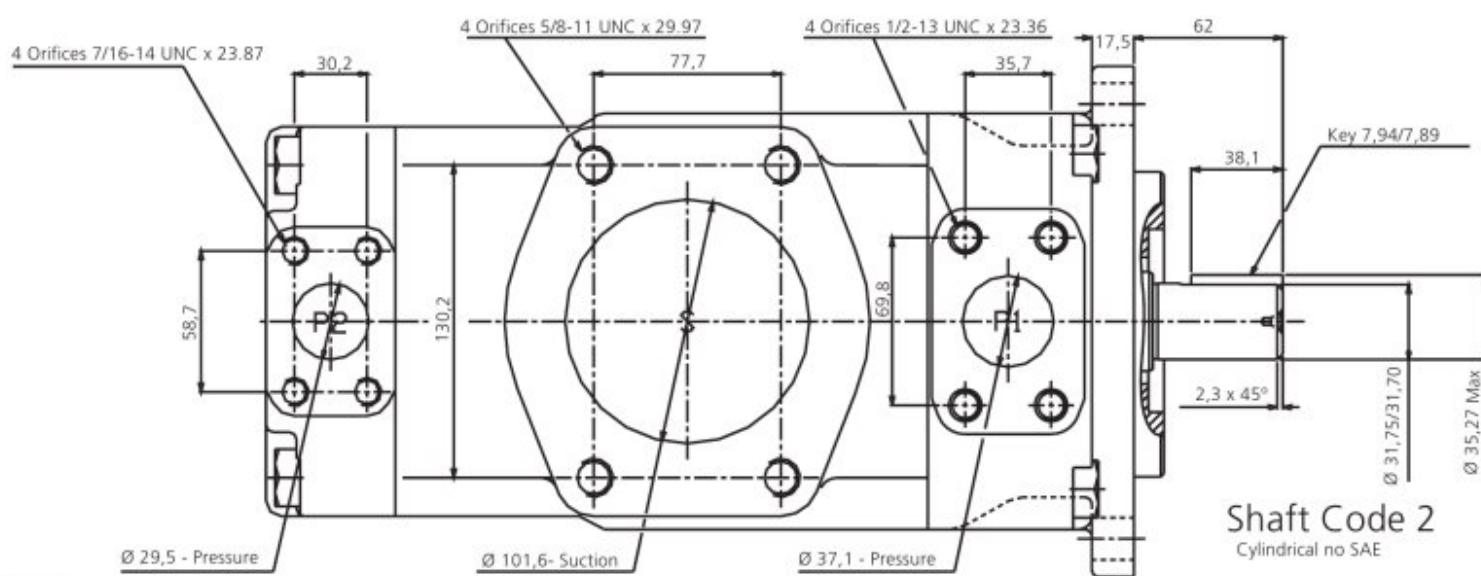
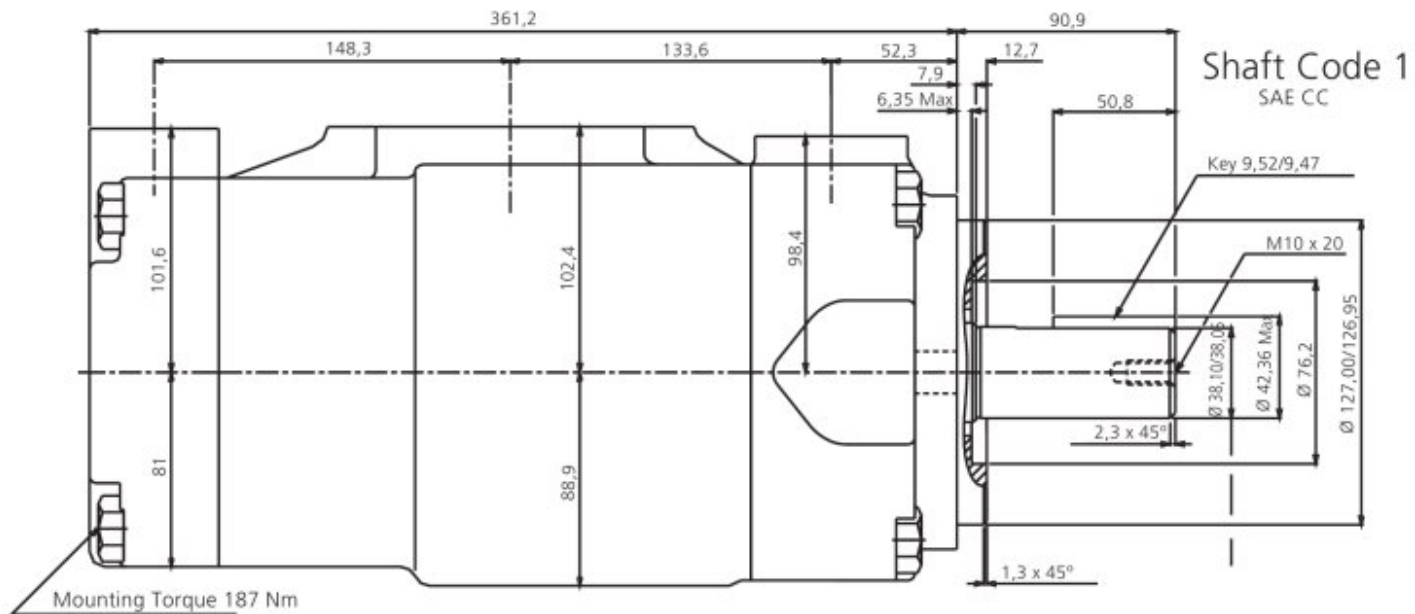
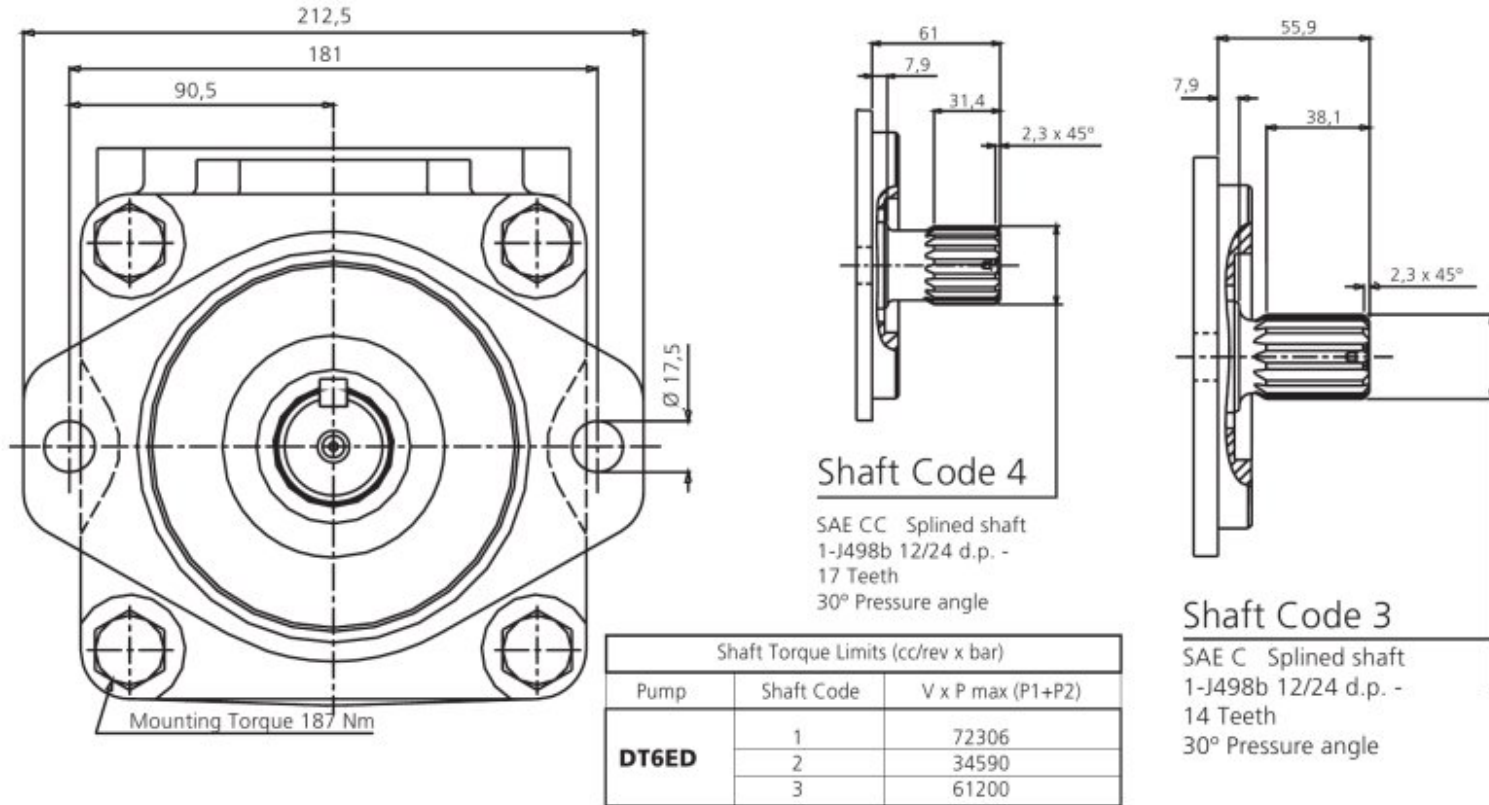
See **DT6E** Single Pumps for flow and input power diagrams (page 46)

COVER END

See **DT6D** Single Pumps for flow and input power diagrams (page 44)

DOUBLE PUMPS DT6ED - DIMENSIONS

DIMENSIONS IN MILLIMETERS. 1" = 25,4 mm



DATA SHEET