

DT6DC - OPERATING CHARACTERISTICS

SHAFT END SECTION

	FLOW											SPEED (rpm)		PRESSURE (bar)		
	Lts/min.at 1000 rpm	rpm	48	66	80	90	98	111	120	136	146	158	191	Min.	Máx.	Intermit.
Gal/min.at 1200 rpm	rpm	14	20	24	28	31	35	38	42	45	50	61	500	2500*	240	210

* See page 41 for further information about speed & pressure.

COVER END SECTION

	FLOW											SPEED (rpm)		PRESSURE (bar)				
	Lts/min.at 1000 rpm	rpm	11	17	21	26	34	37	46	58	64	70	79	89	100	Min.	Máx.	Intermit.
Gal/min.at 1200 rpm	rpm	3	5	6	8	10	12	14	17	20	22	25	28	31	500	2800*	275	240*

* See page 41 for further information about speed & pressure.

DT6DC - FLOW & INPUT POWER DIAGRAMS

SHAFT END

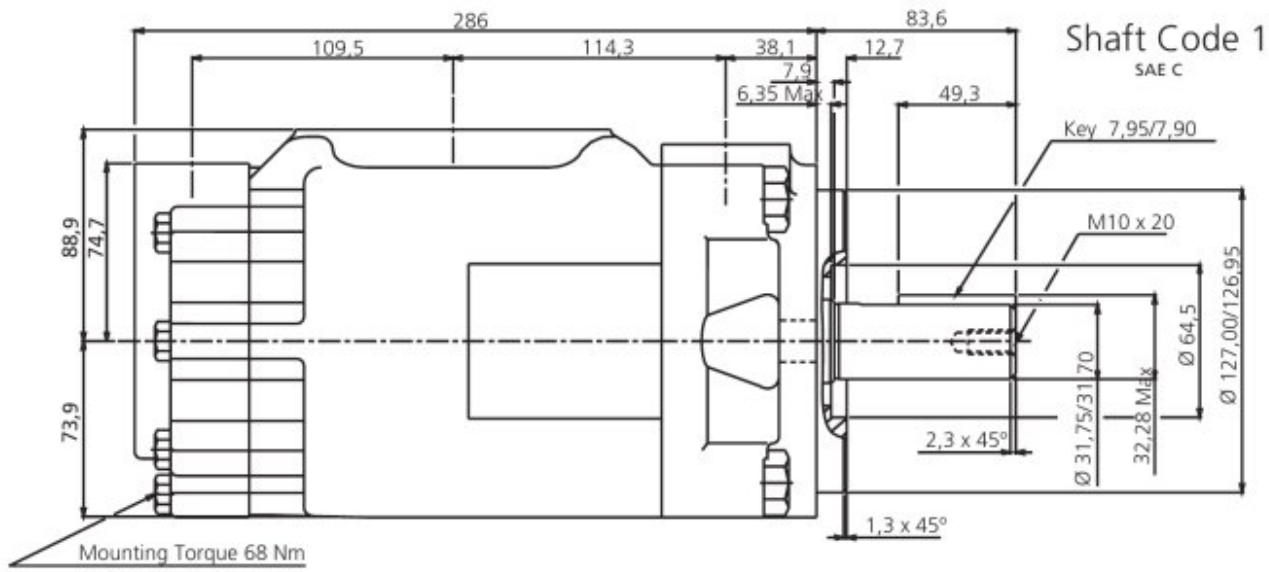
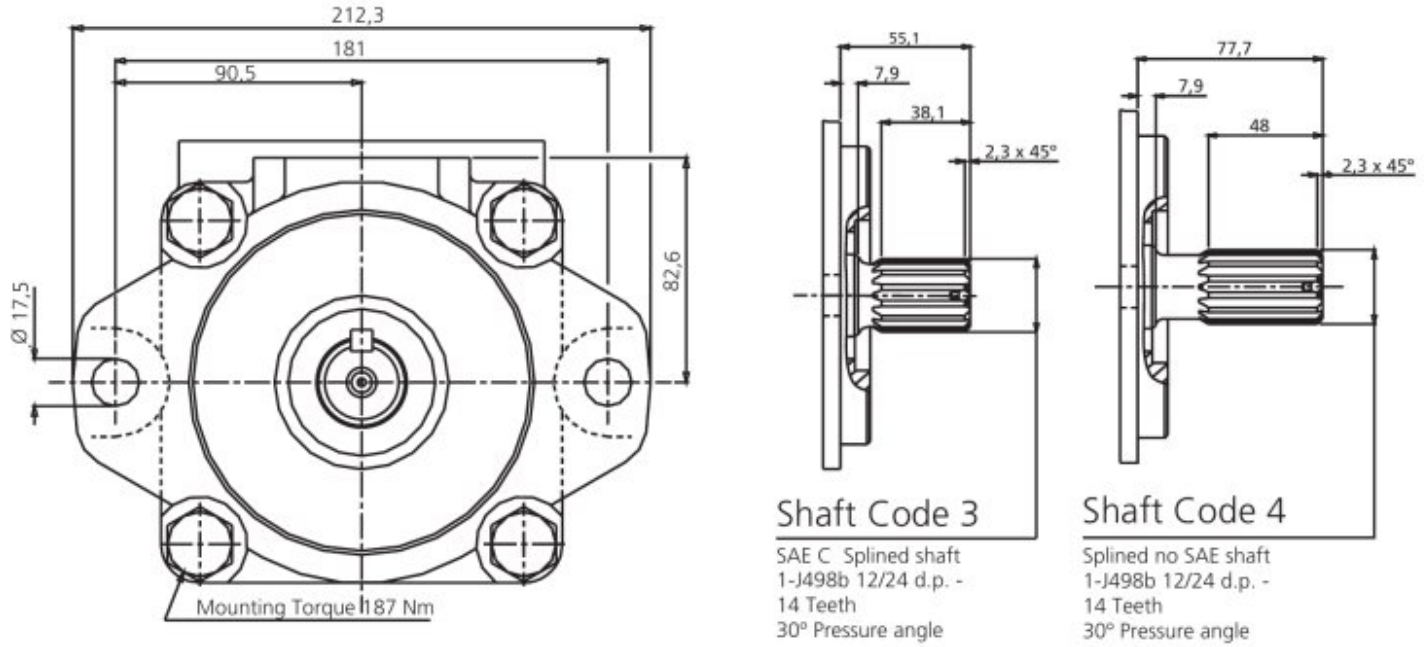
See **DT6D** Single Pumps for flow and input power diagrams (page 44)

COVER END

See **DT6D** Single Pumps for flow and input power diagrams (page 42)

DOUBLE PUMPS DT6DC - DIMENSIONS

DIMENSIONS IN MILLIMETERS. 1" = 25,4 mm



Mounting W/connection variables				
Port	Code	A	B	C
P2	00 & M0	52,4	26,2	25,4
P2	01 & M1	47,6	22,2	19,0

Shaft Torque Limits (cc/rev x bar)		
Pumps	Shaft code	V x P max (P1+P2)
DT6DC	1	43240
	2	38996

