

## DOUBLE PUMPS DT6CC - OPERATING CHARACTERISTICS

### SHAFT END SECTION

	FLOW													SPEED (rpm)		PRESSURE (bar)	
	Lts/min.at 1000 rpm	11	17	21	26	34	37	46	58	64	70	79	89	100	Min.	Máx.	Intermit.
Gal/min.at 1200 rpm	3	5	6	8	10	12	14	17	20	22	25	28	31	500	2800*	275	240*

\* See page 41 for further information about speed & pressure.

### COVER END SECTION

	FLOW													SPEED (rpm)		PRESSURE (bar)	
	Lts/min.at 1000 rpm	11	17	21	26	34	37	46	58	64	70	79	89	100	Min.	Máx.	Intermit.
Gal/min.at 1200 rpm	3	5	6	8	10	12	14	17	20	22	25	28	31	500	2800*	275	240*

\* See page 41 for further information about speed & pressure.

## DT6CC - FLOW & INPUT POWER DIAGRAMS

### SHAFT END

See **DT6C** Single Pumps for flow and input power diagrams (page 42)

### COVER END

See **DT6C** Single Pumps for flow and input power diagrams (page 42)

## DOUBLE PUMPS DT6CC - DIMENSIONS

DIMENSIONS IN MILLIMETERS. 1" = 25,4 mm

### Mounting W/connection variables

		P1 = 1" - S = 3"		P1 = 1" - S = 2 1/2"	
P2		1"	3/4"	1"	3/4"
code	Unc	00	01	10	11
	Metric	0M	W0	1M	W1

### Suction and pressure Port dimension variables.

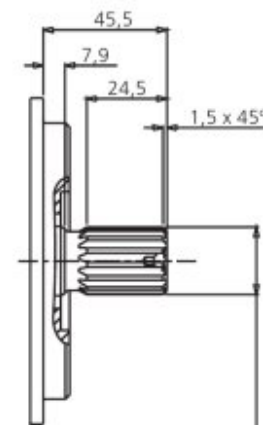
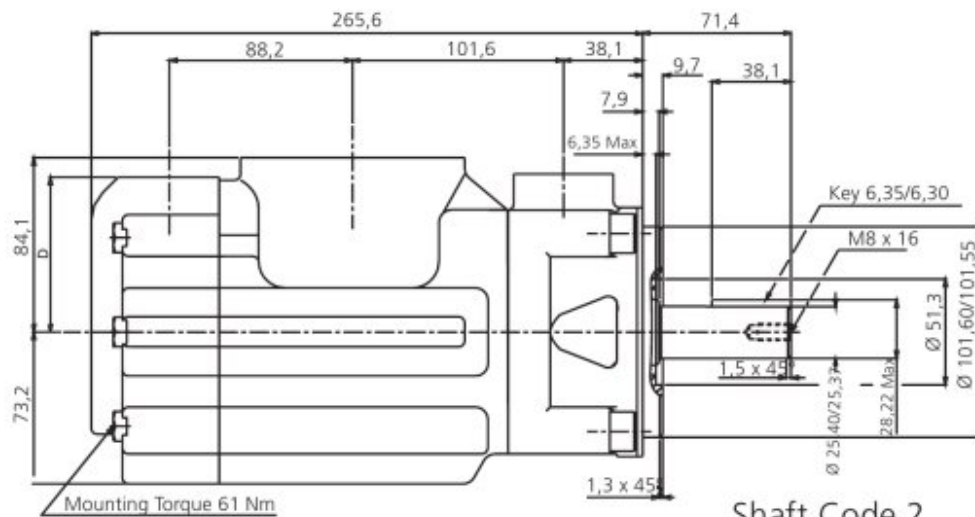
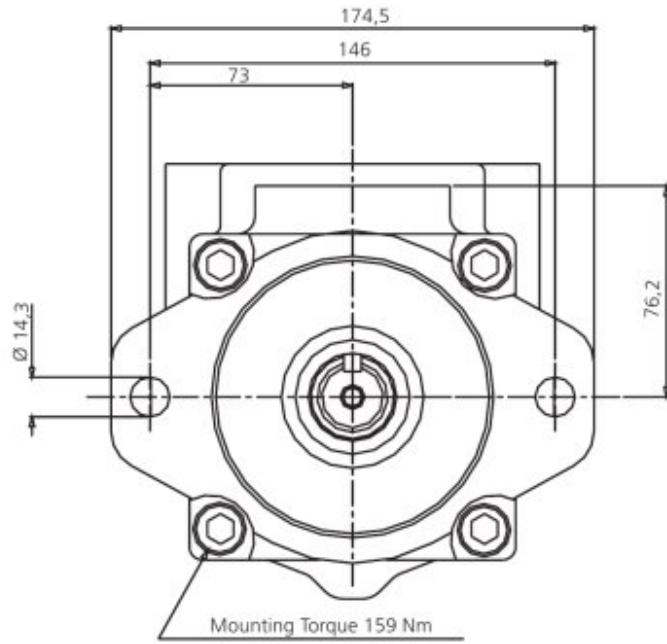
Thread	Port	A	B	C	D	E
S	3	106,4	61,9	76,2		5/8 - 11UNC x 28,4 (M16 x 28,4)
S	2 1/2	88,9	50,8	63,5		1/2 - 13UNC x 23,9 (M16 x 28,4)
P1	1	52,4	26,2	25,4	76,2	3/8 - 16UNC x 19 (M10 x 19)
P2	3/4	47,7	22,4	19,0	76,2	
P2	1	52,4	26,2	25,4	74,7	

\*Add the following numbers at the end of the DT6CC reference depending your option.

UNC	Code 00*	Code 01*	Code 10*	Code 11*
Metric	Code 0M*	Code W0*	Code 1M*	Code W1*
S	3	3	2 1/2	2 1/2
P1	1	1	1	1
P2	1	3/4	1	3/4

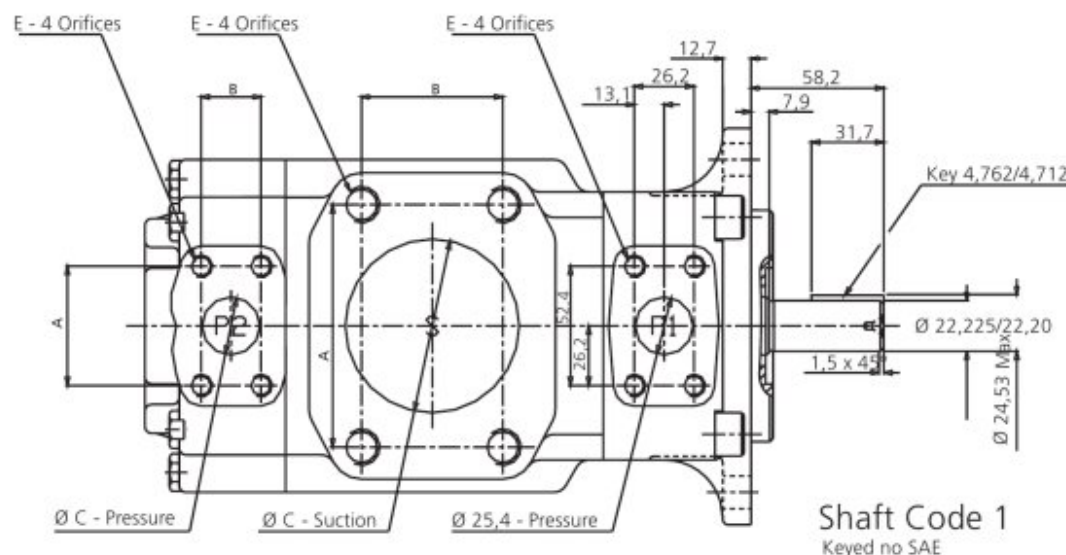
You may use suction S of 2 1/2 for 126 cc/rev. maximum  
You may use pressure port P2 of 3/4 for 46 cc/rev. maximum

Shaft torque limits cc/rev x bar		
Pump	Shaft code	V x P max (P1+P2)
DT6CC	1	14300
	2	21470
	3	32670
	5	20600

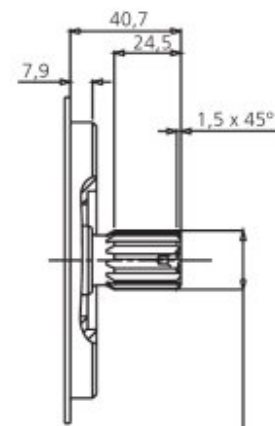


Shaft Code 3

SAE BB Splined shaft  
1-J498b 16/32 d.p. -  
15 Teeth  
30° Pressure angle



Shaft Code 1  
Keyed no SAE



Shaft Code 5

SAE B Splined shaft  
1-J498b 16/32 d.p. -  
13 Teeth  
30° Pressure angle