

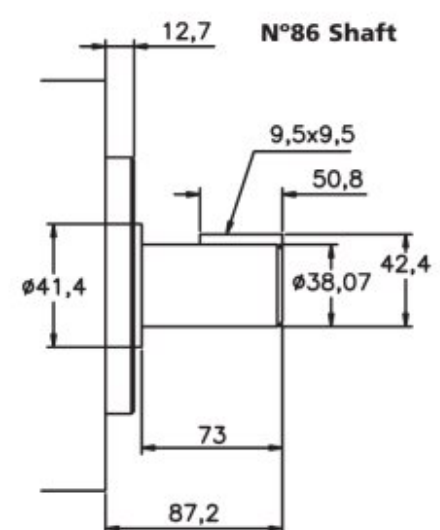
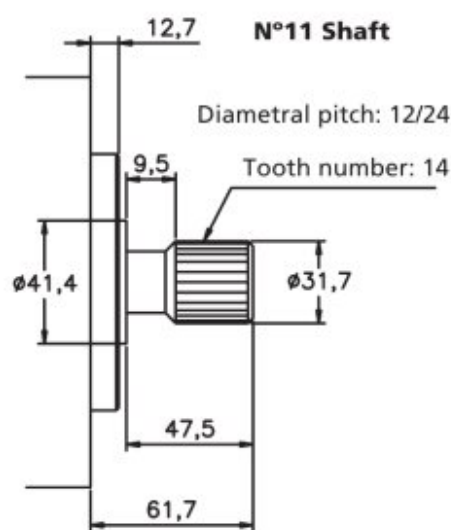
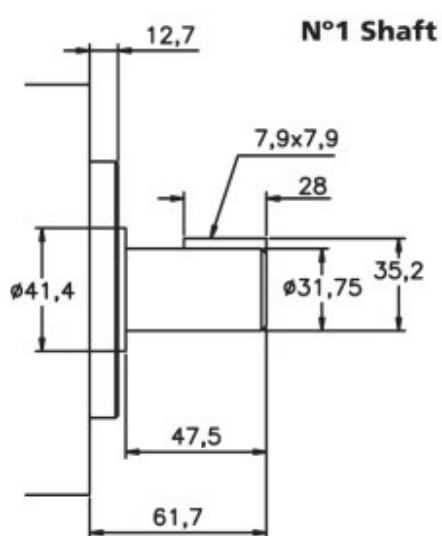
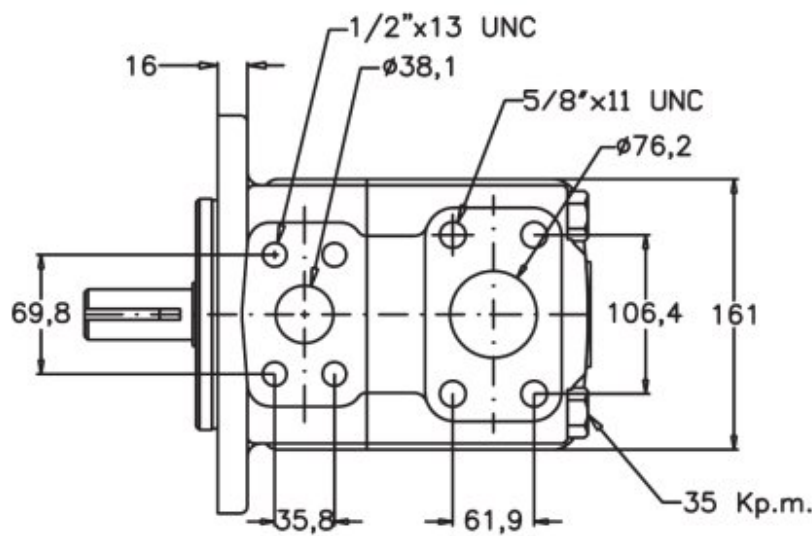
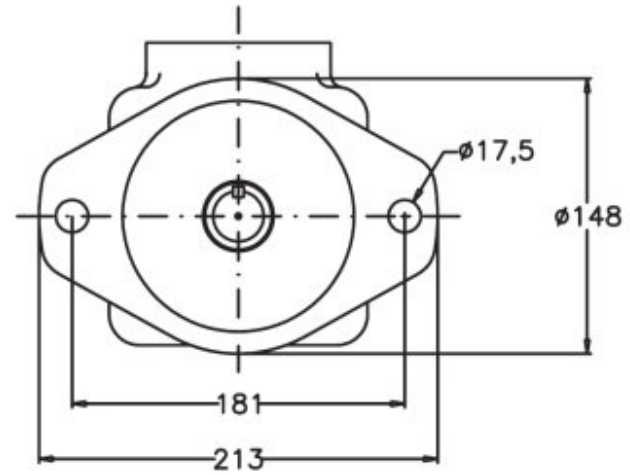
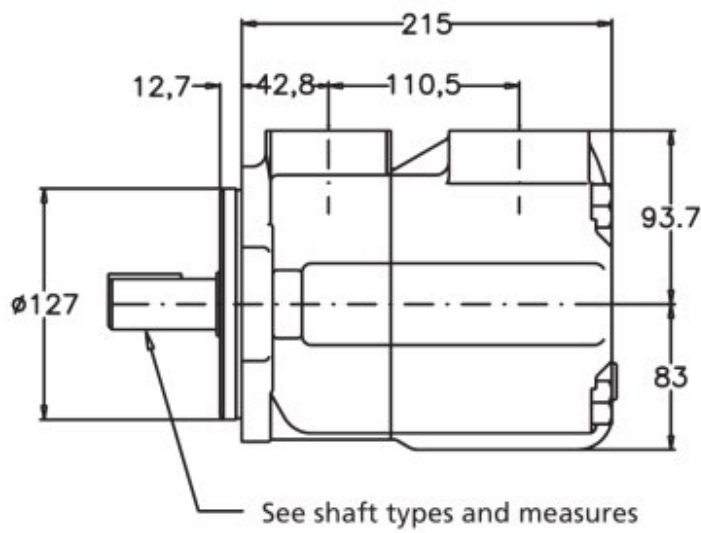
## SINGLE VANE PUMP TYPE VS-45 & VQ-45

DIMENSIONS IN MILLIMETERS. 1" = 25,4 mm

FLOW		SPEED (rpm)		PRES (BAR)		CONNECTION		WEIGHT
Lts.a 1000 rpm	Gal. a 1200 rpm	Min.	Máx.	Contin.	Intermit.	Inlet	Outlet	(Kgs.)
138	42	600	2200*	155	175	Ø3"	Ø1" 1/2	35,5
148	47							
162	50							
180	57							
193	60							
214	67							
240	75							

\* For further details see general chart

DIMENSIONS IN MILLIMETERS 1" = 25.4 mm



Enquire about other types of shafts

SINGLE VANE PUMP TYPE VS-45 & VQ-45



FLOW AND INPUT POWER DIAGRAMS

