

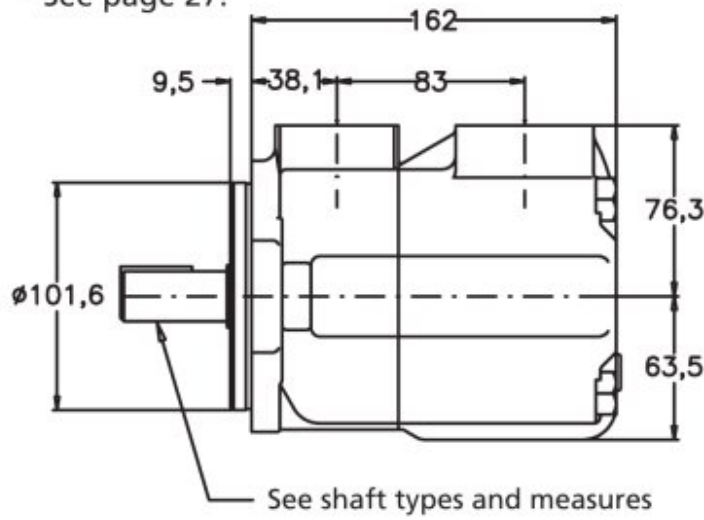
SINGLE VANE PUMP TYPE VS-25 & VQ-25

DATA SHEET

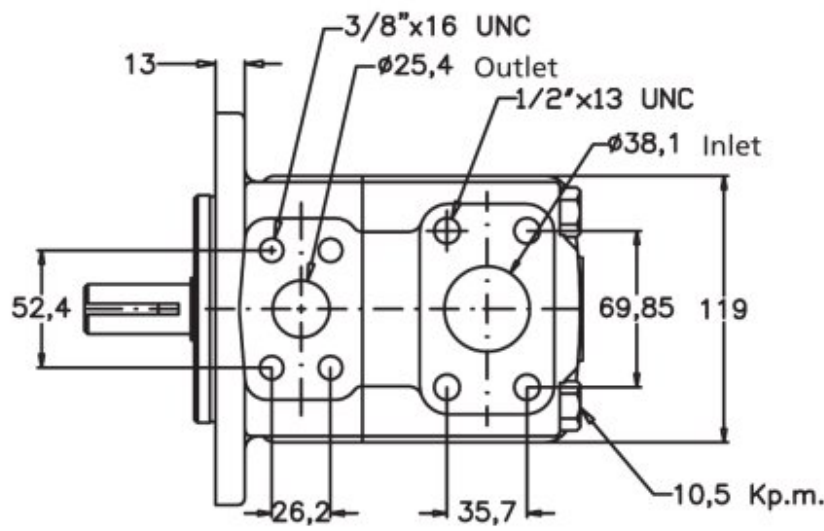
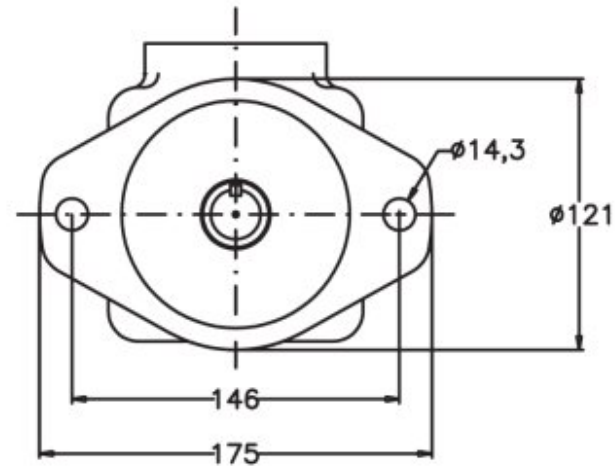
DIMENSIONS IN MILLIMETERS. 1" = 25,4 mm

	FLOW								SPEED(rpm)		PRES (BAR)		CONNECTION		WEIGHT (Kgs.)
	Lts.at 1000 rpm	32	40	45	55	60	67	80*	88*	Min.	Max.	Contin.	Intermit.	Inlet	
Gal.at 1200 rpm	10	12	14	17	19	21	24*	27*	600	2500*	175	210*	Ø1"1/2	Ø1"	15

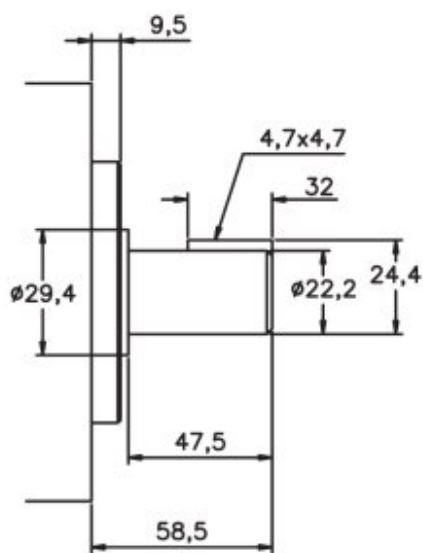
*See page 27.



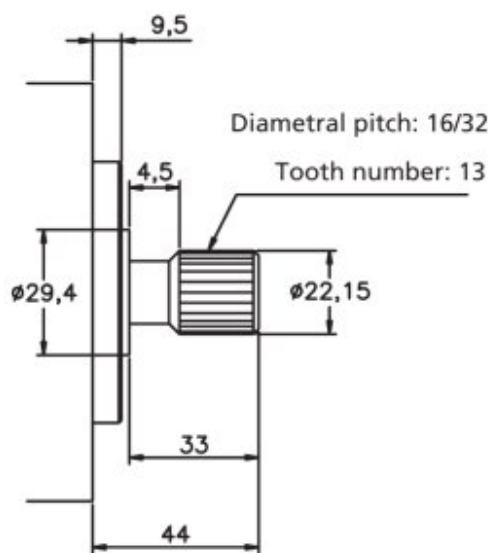
DIMENSIONS IN MILLIMETERS 1" = 25.4 mm



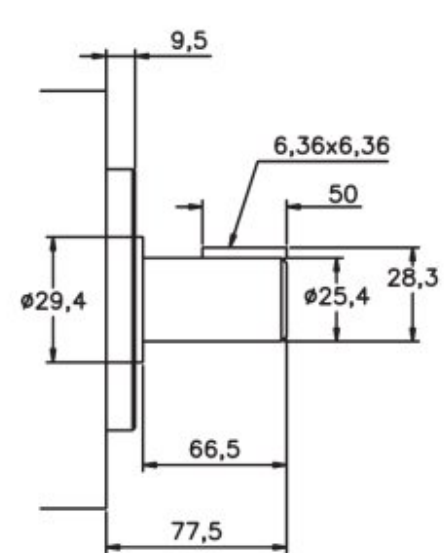
N°1 Shaft



N°11 Shaft



N°86 Shaft



Enquire about other types of shafts

SINGLE VANE PUMP TYPE VS-25 & VQ-25



FLOW AND INPUT POWER DIAGRAMS

