

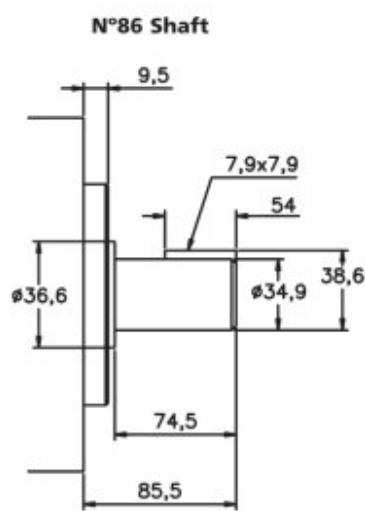
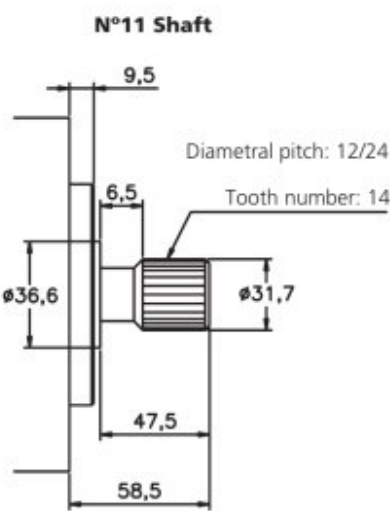
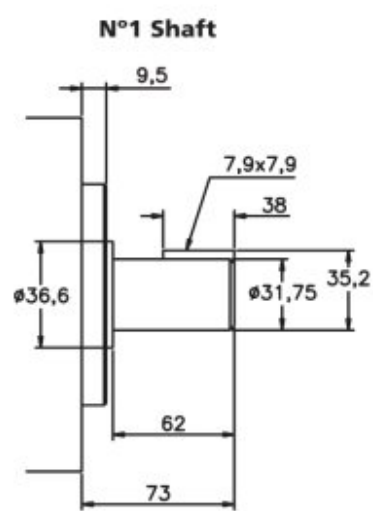
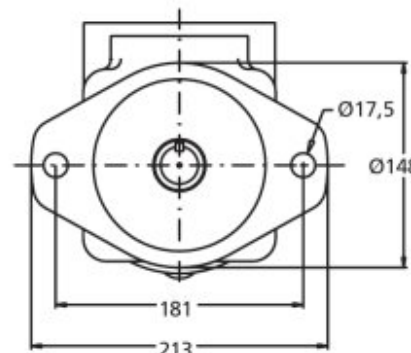
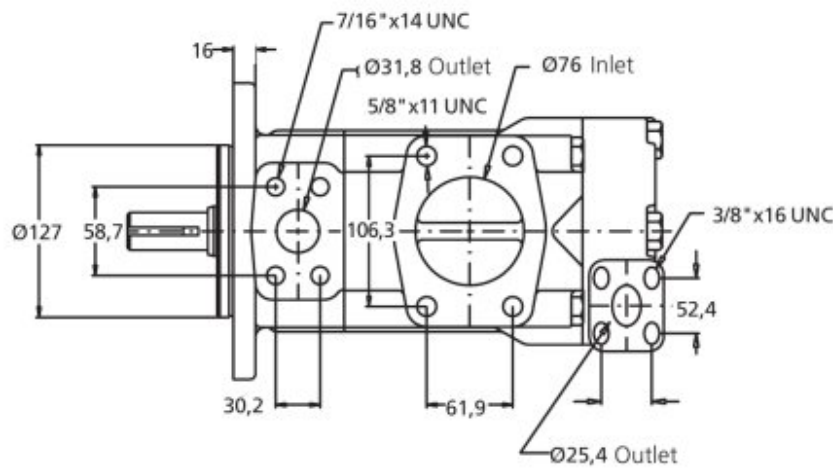
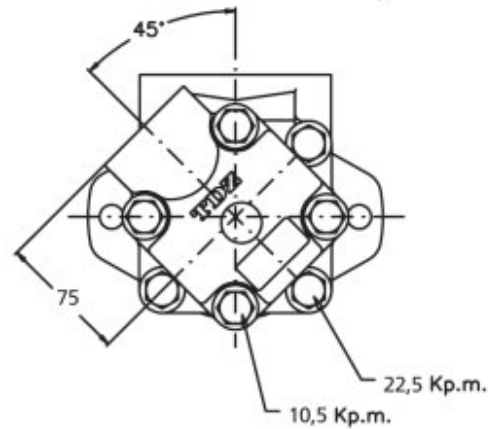
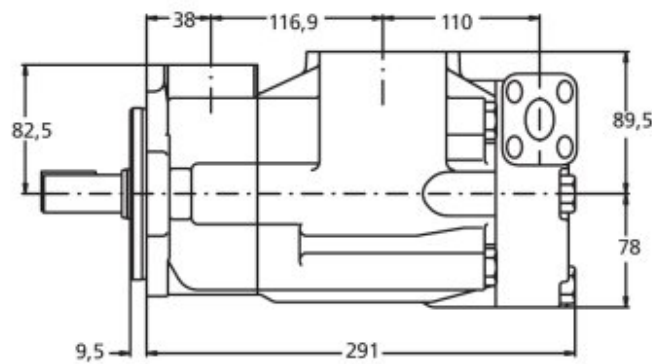
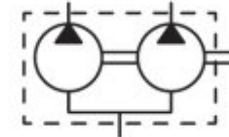
## DOUBLE VANE PUMPS VS-64 Y VQ-64

DATA SHEET

SHAFT END FLOW						SPEED (rpm)		PRES (BAR)		CONNECTION		
Lts.at 1000 rpm	66	81	97	112	121	142*	Min.	Max.	Contin.	Intermit.	Inlet	Outlet
Gal.at 1200 rpm	21	25	30	35	38	45*	600	2400*	175	210*	Ø3"	Ø1.25"

COVER END FLOW								SPEED(rpm)		PRES (BAR)		CONNECTION		
Lts.at 1000 rpm	32	40	45	55	60	67	80*	88*	Min.	Max.	Contin.	Intermit.	Inlet	Outlet
Gal.at 1200 rpm	10	12	14	17	19	21	24*	27*	600	2500*	175	210*	Ø3"	Ø1"

DIMENSIONS IN MILLIMETERS 1" = 25.4 mm



Enquire about other types of shafts