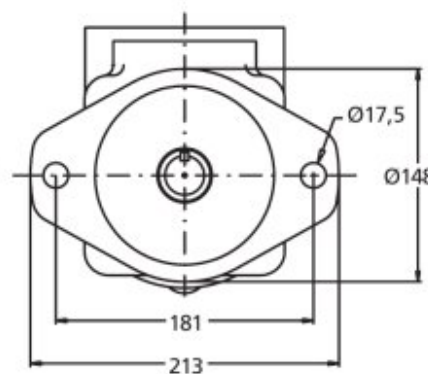
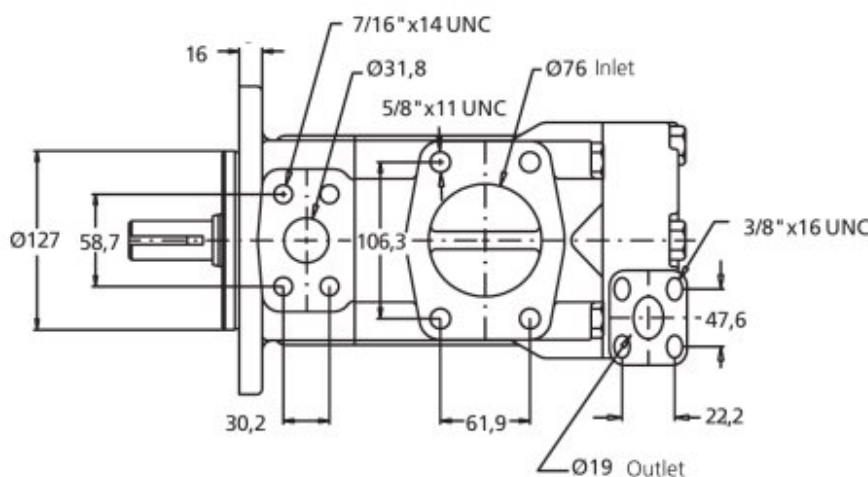
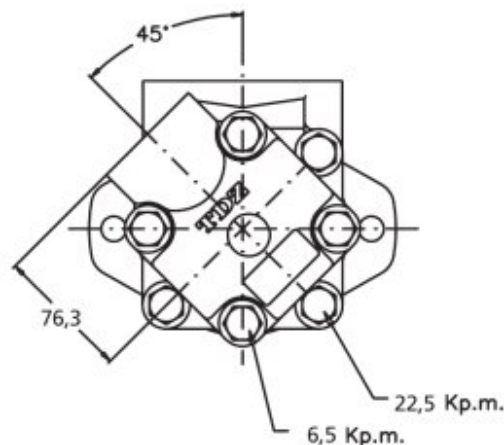
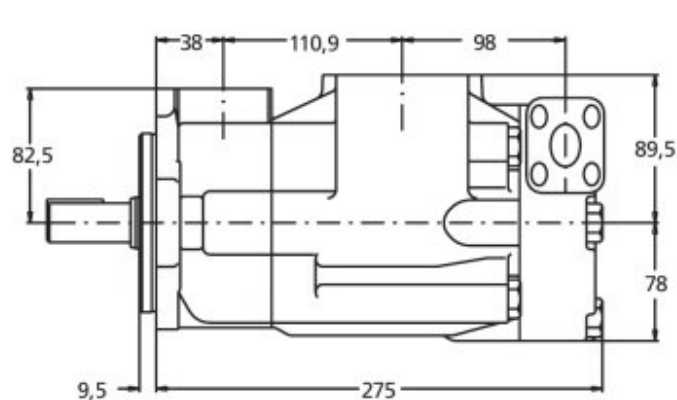


DOUBLE VANE PUMPS VS-63 Y VQ-63

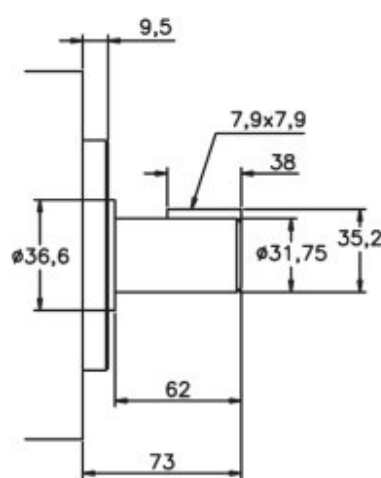
SHAFT END FLOW						SPEED (rpm)		PRES (BAR)		CONNECTION		
Lts.at 1000 rpm	66	81	97	112	121	142*	Min.	Max.	Contin.	Intermit.	Inlet	Outlet
Gal.at 1200 rpm	21	25	30	35	38	45*	600	2400*	175	210*	Ø3"	Ø1.25"

COVER END FLOW						SPEED (rpm)		PRES (BAR)		CONNECTION			
Lts.at 1000 rpm	8	18	27	29	36	39	46	Min.	Max.	Contin.	Intermit.	Inlet	Outlet
Gal.at 1200 rpm	2	5	8	9	11	12	14	600	2500	175	210	Ø3"	Ø 3/4"

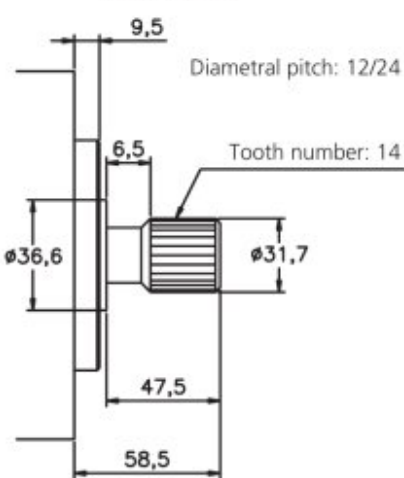
DIMENSIONS IN MILLIMETERS 1" = 25.4 mm



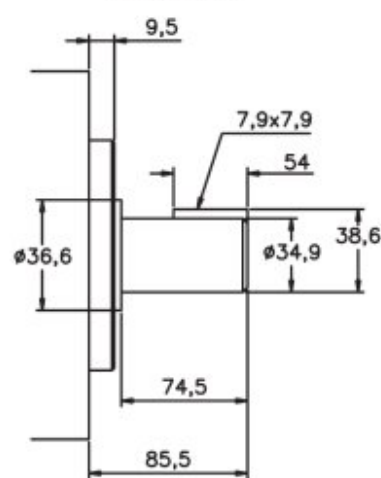
N°1 Shaft



N°11 Shaft



N°86 Shaft



Enquire about other types of shafts