

## DOUBLE VANE PUMPS VS-43 Y VQ-43

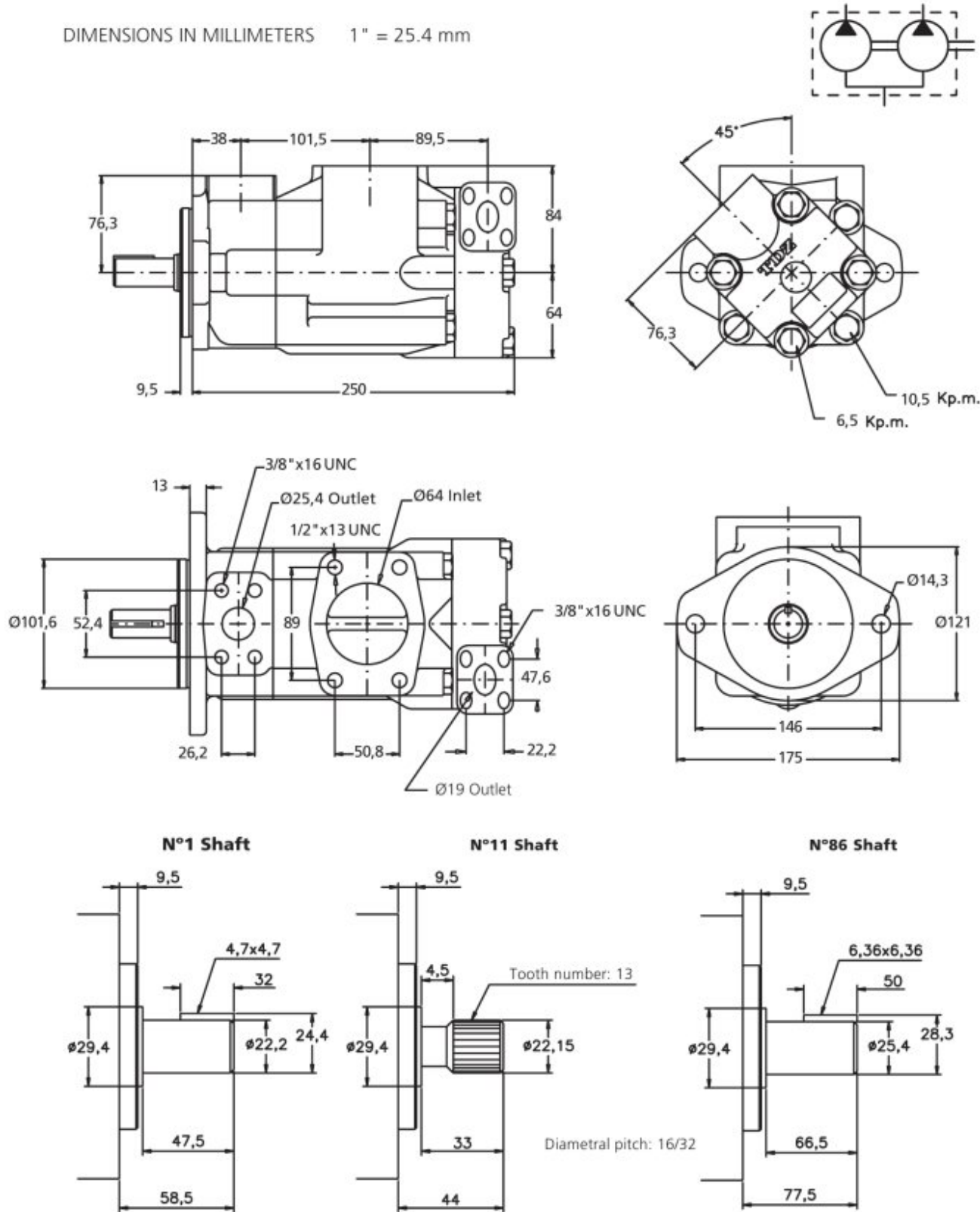
DATA SHEET

SHAFT END FLOW								SPEED(rpm)		PRES (BAR)		CONNECTION		
Lts.at 1000 rpm	32	40	45	55	60	67	80*	88*	Min.	Max.	Contin.	Intermit.	Inlet	Outlet
Gal.at 1200 rpm	10	12	14	17	19	21	24*	27*	600	2500*	175	210*	Ø2.5"	Ø1"

COVER END FLOW								SPEED (rpm)		PRES (BAR)		CONNECTION	
Lts.at 1000 rpm	8	18	27	29	36	39	46	Min.	Max.	Contin.	Intermit.	Inlet	Outlet
Gal.at 1200 rpm	2	5	8	9	11	12	14	600	2500	175	210	Ø2.5"	Ø 3/4"

DIMENSIONS IN MILLIMETERS 1" = 25.4 mm



Different shafts are available