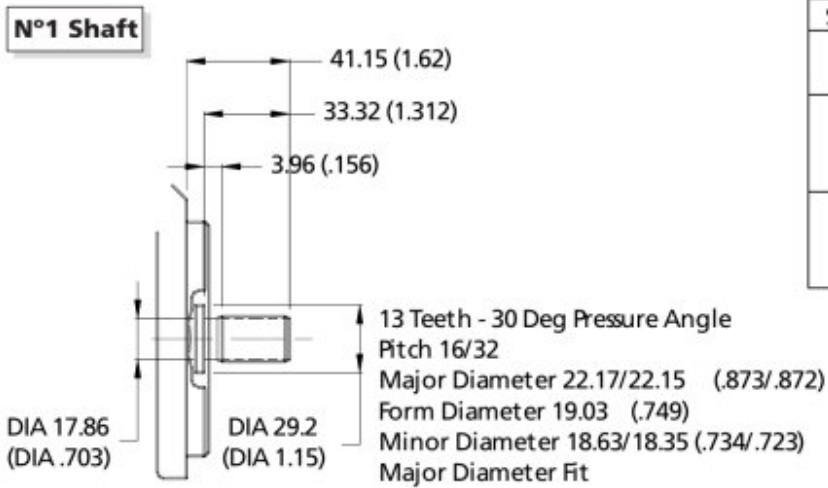
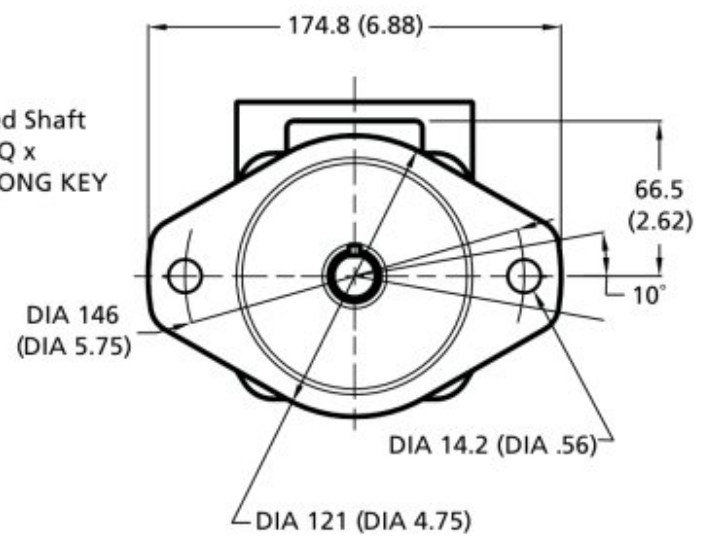
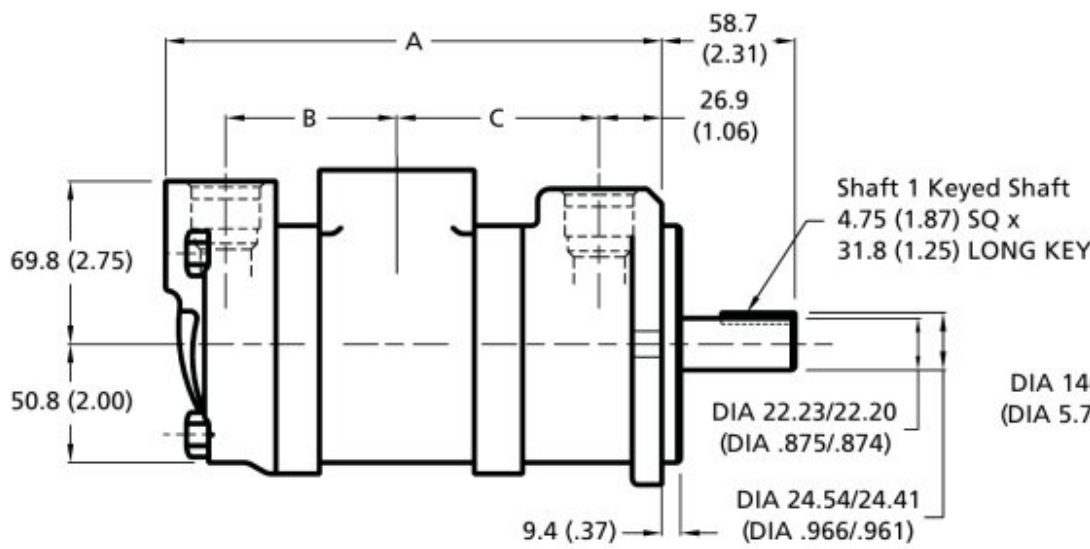
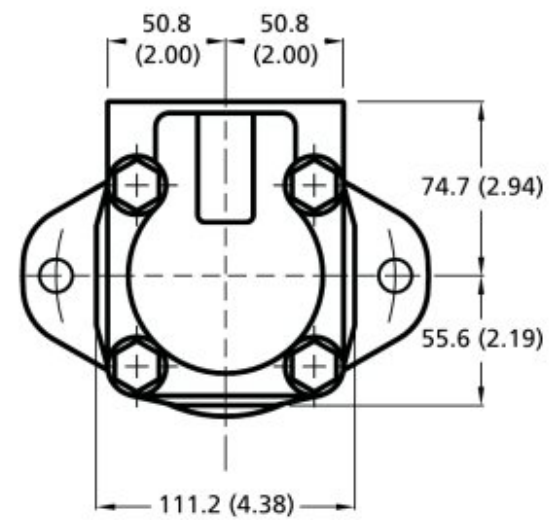
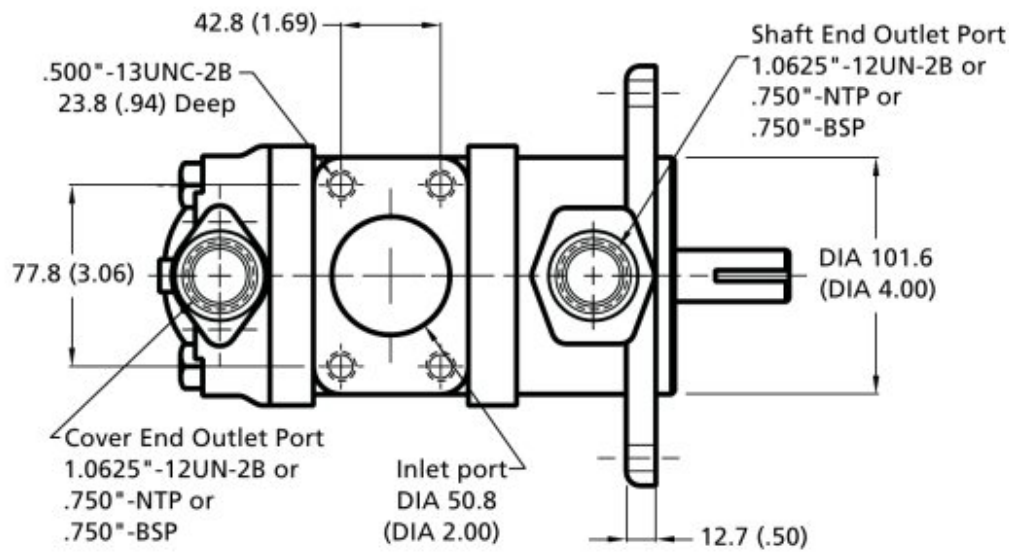


DOUBLE VANE PUMPS VC2020

DATA SHEET



Delivery @ 1200 rpm & 7 bar (100 psi)		Dimension		
Shaft End	Cover End	A	B	C
7, 8, 9	5, 6	213.6 (8.41)	73.7 (2.90)	87.1 (3.43)
7, 8, 9	7, 8, 9	220.0 (8.66)	80.0 (3.15)	87.1 (3.43)
10, 11	5, 6	218.7 (8.61)	73.7 (2.90)	92.2 (3.63)
10, 11	7, 8, 9	225.0 (8.86)	80.0 (3.15)	92.2 (3.63)
10, 11	10, 11	229.9 (9.05)	85.1 (3.35)	92.2 (3.63)
12, 13	5, 6	222.3 (8.75)	73.7 (2.90)	95.5 (3.76)
12, 13	7, 8, 9	228.3 (8.99)	80.0 (3.15)	95.5 (3.76)
12, 13	11	233.4 (9.19)	85.1 (3.35)	95.5 (3.76)