

## SINGLE VANE PUMP TYPE VS-35 & VQ-35

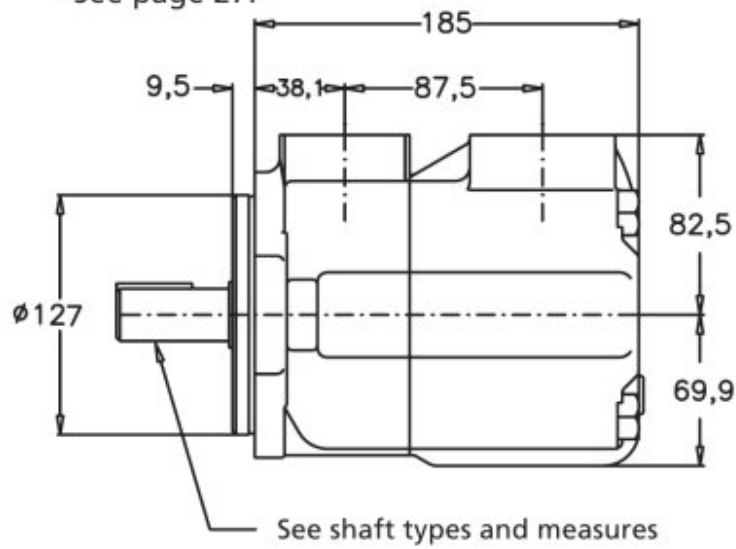
**DATA SHEET**

DIMENSIONS IN MILLIMETERS. 1" = 25,4 mm

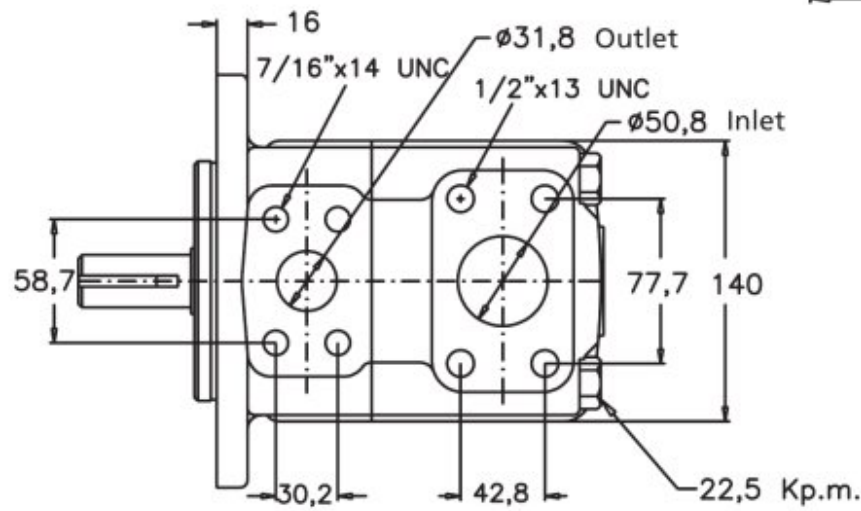
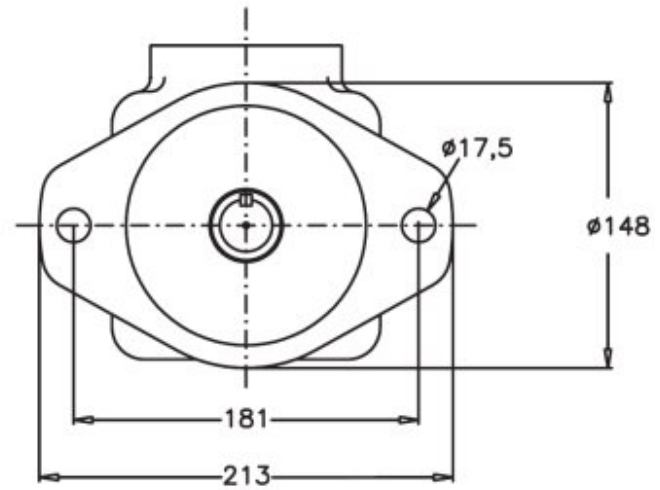
	FLOW						SPEED (rpm)		PRES (BAR)		CONNECTION		WEIGHT (Kgs.)
	Lts.at 1000 rpm	66	81	97	112	121	142*	Min.	Max.	Contin.	Intermit.	Inlet	
Gal.at 1200 rpm	21	25	30	35	38	45*	600	2400*	175	210*	Ø2"	Ø1" 1/4	23

\*See page 27.

\* For further details see general chart



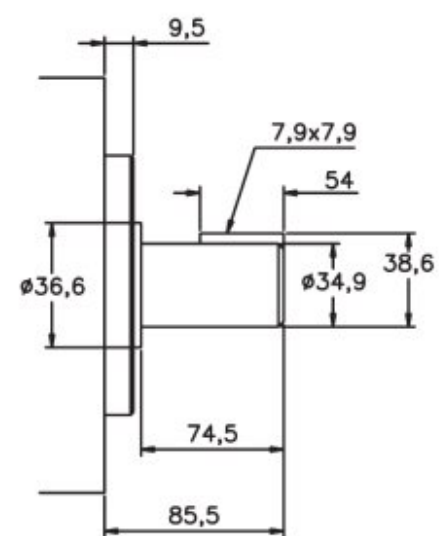
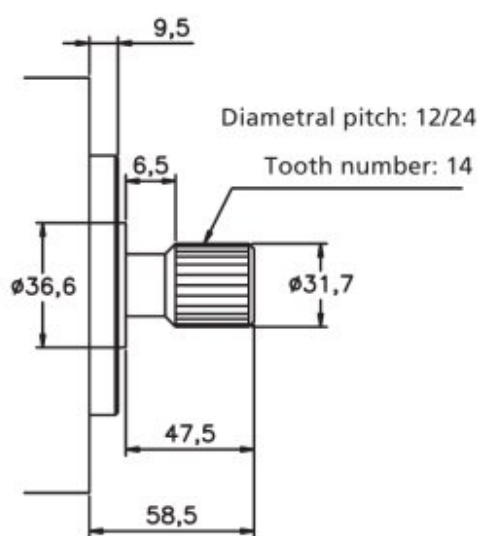
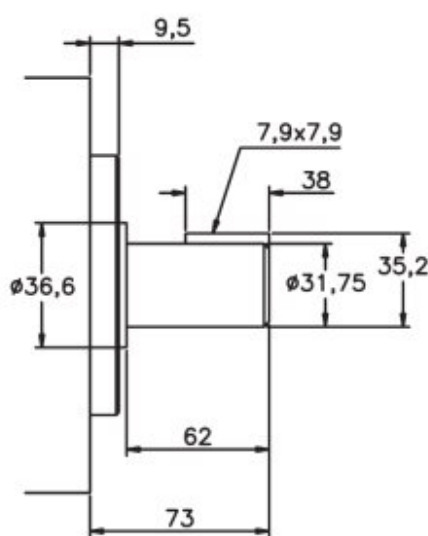
DIMENSIONS IN MILLIMETERS 1" = 25.4 mm



**N°1 Shaft**

**N°11 Shaft**

**N°86 Shaft**



Enquire about other types of shafts

SINGLE VANE PUMP TYPE VS-35 & VQ-35



FLOW AND INPUT POWER DIAGRAMS

