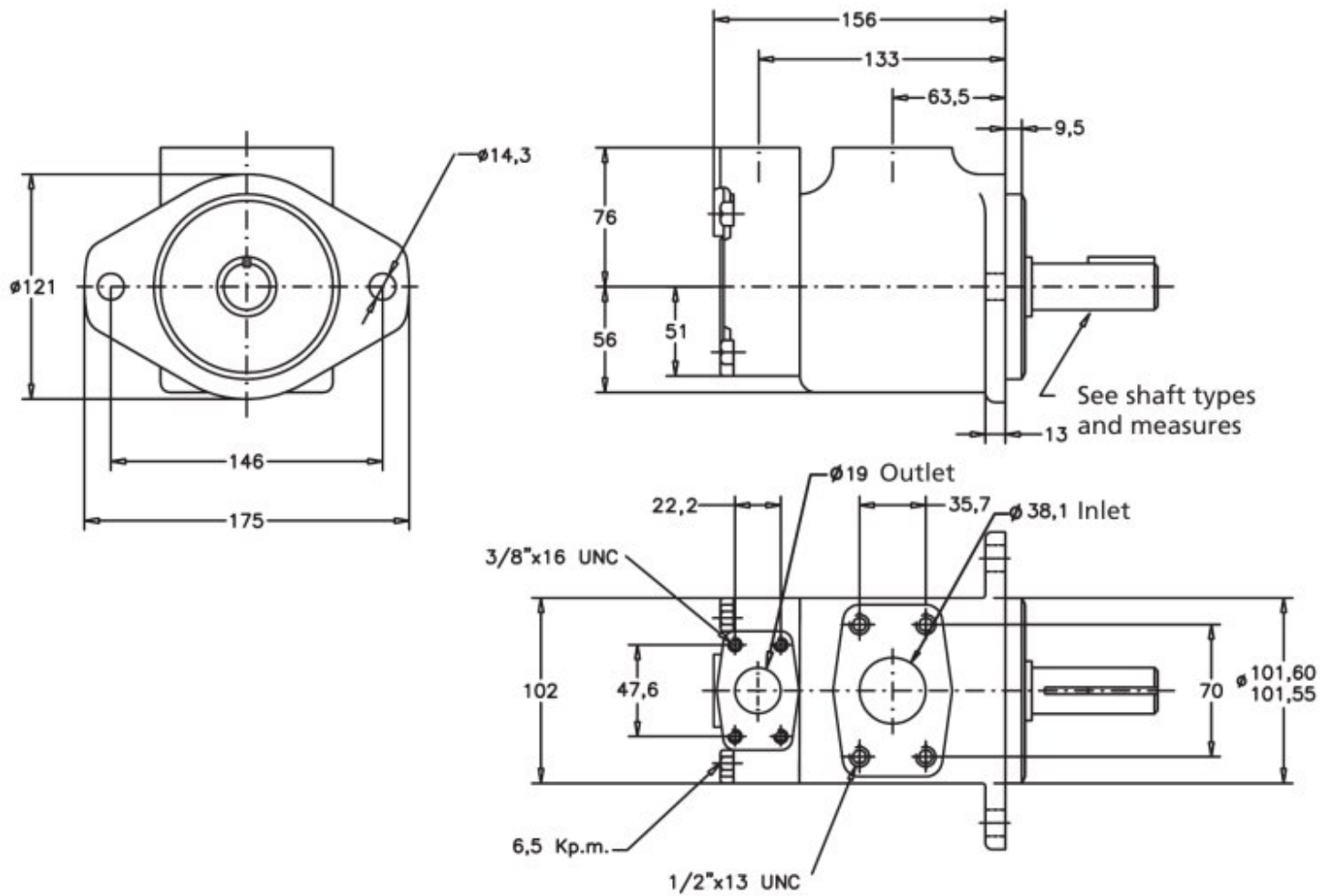


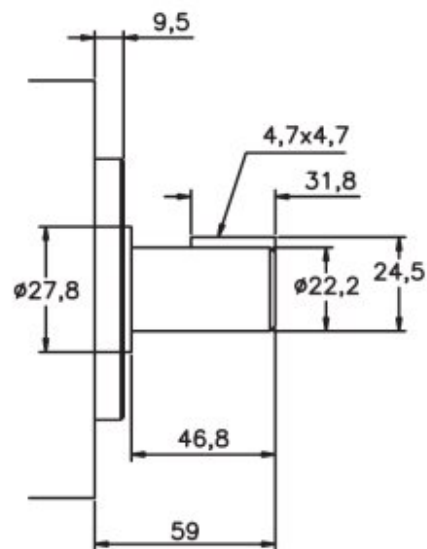
SINGLE VANE PUMP TYPE VK-20 Y VQ-20

DIMENSIONS IN MILLIMETERS. 1" = 25,4 mm

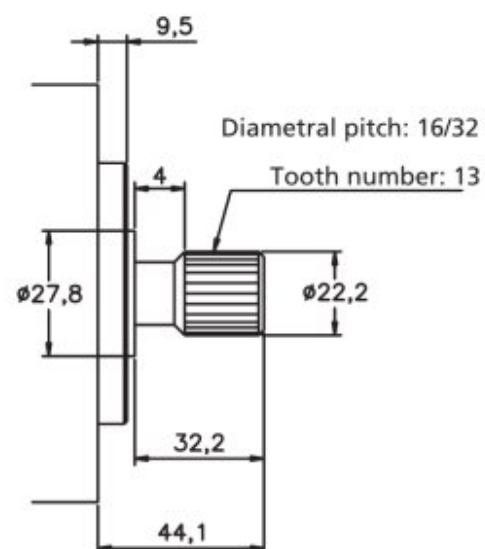
| | FLOW | | | | | | | SPEED (rpm) | | PRES (BAR) | | CONNECTION | | WEIGHT (Kgs.) |
|-----------------|-----------------|---|----|----|----|----|----|-------------|------|------------|---------|------------|--------|---------------|
| | Lts.at 1000 rpm | 8 | 18 | 27 | 29 | 36 | 39 | 46 | Min. | Max. | Contin. | Intermit. | Inlet | |
| Gal.at 1200 rpm | 2 | 5 | 8 | 9 | 11 | 12 | 14 | 600 | 2500 | 175 | 210 | Ø 1 1/2" | Ø 3/4" | 12 |



N°1 Shaft



N°151 Shaft



SINGLE VANE PUMP TYPE VK-20 Y VQ-20



FLOW AND INPUT POWER DIAGRAMS

----- Max. pressure (210 bar) _____ Min. Pressure (7 bar)

