

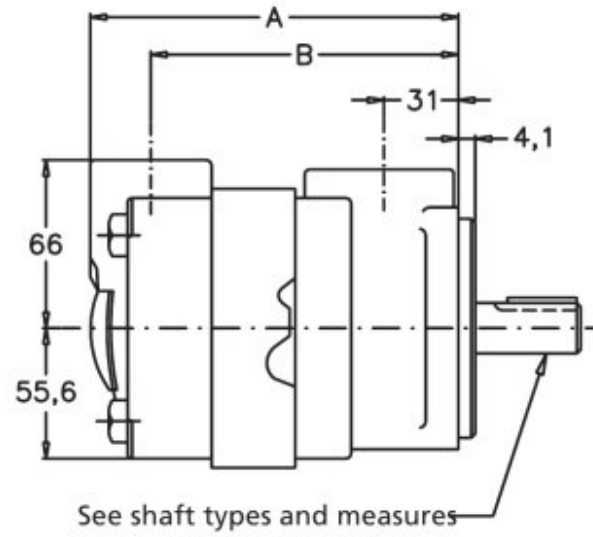
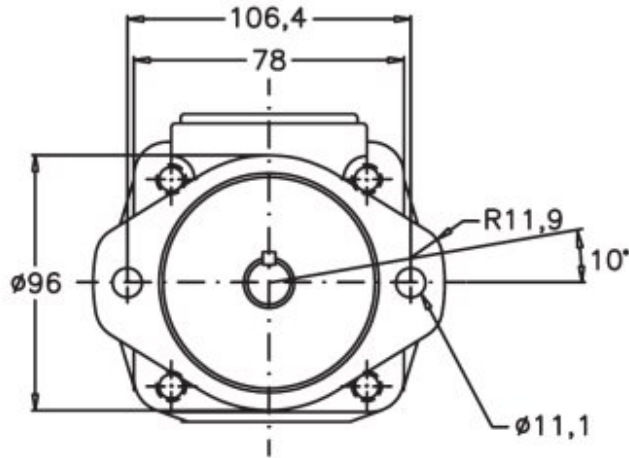
SINGLE VANE PUMP TYPE VC-20

DIMENSIONS IN MILLIMETERS. 1" = 25,4 mm

DATA SHEET

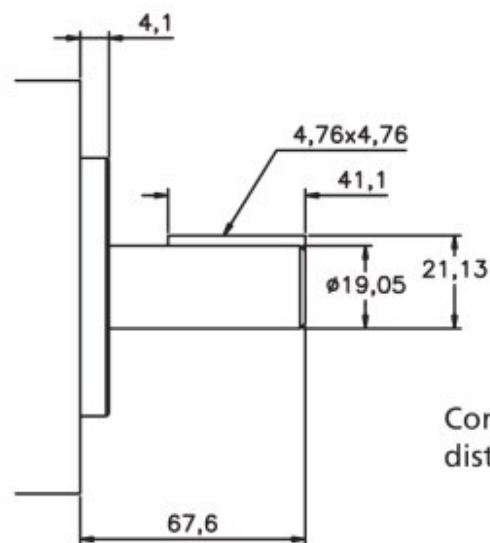
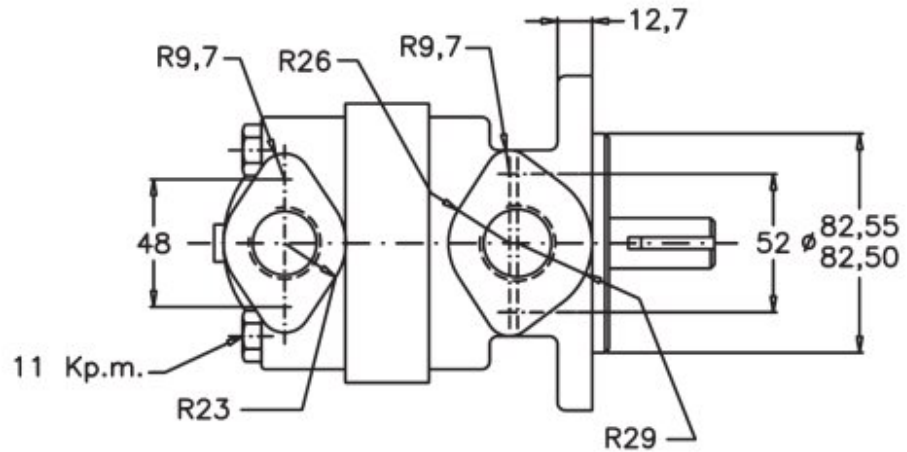
FLOW			SPEED (rpm)		PRES (BAR)		Nominal Power (2)	CONNECTIO N		WEIGHT (Kgs.)
Lts.at 1000 rpm	Gal.at 1200 rpm	Reduction (1)	Min.	Max.	Contin.	Intermit		Inlet	Outlet	
19	6	2,8	600	3400	155	180	3,9	1 1/4" NPT	3/4" NPT	7,3
22	7	4,2		3000						
26	8	4,5		2800						
29	9	4,8		2800						
36	11	4,8		2500						
39	12	5,4		2400						
42	13	6,0		2400	140	8,1				

(2) & (3) see page 27.



Galon	Dimension	
	A	B
6	125,2	102,1
7, 8, 9	131,6	108,4
11	136,7	113,5
12, 13	140,2	117,1

Num.	Inlet	Outlet
02	1" 1/4 BSP	3/4" BSP
03	1" 5/8-12 UNF	1" 1/16 UNF
04	1" 1/4 NPT	3/4" NPT



Contact TDZ or your nearest distributor for other shaft types

SINGLE VANE PUMP TYPE VC-20



FLOW AND INPUT POWER DIAGRAMS

----- Max. pressure (180 bar)    \_\_\_\_\_ Min. Pressure (7 bar)

