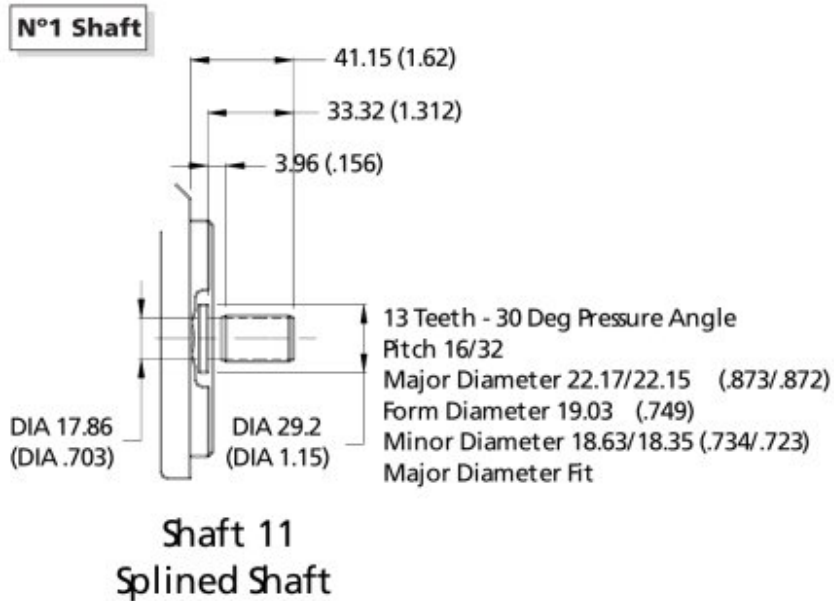
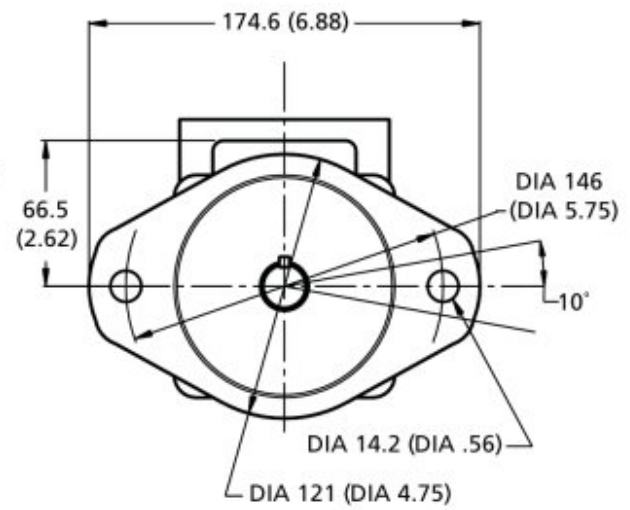
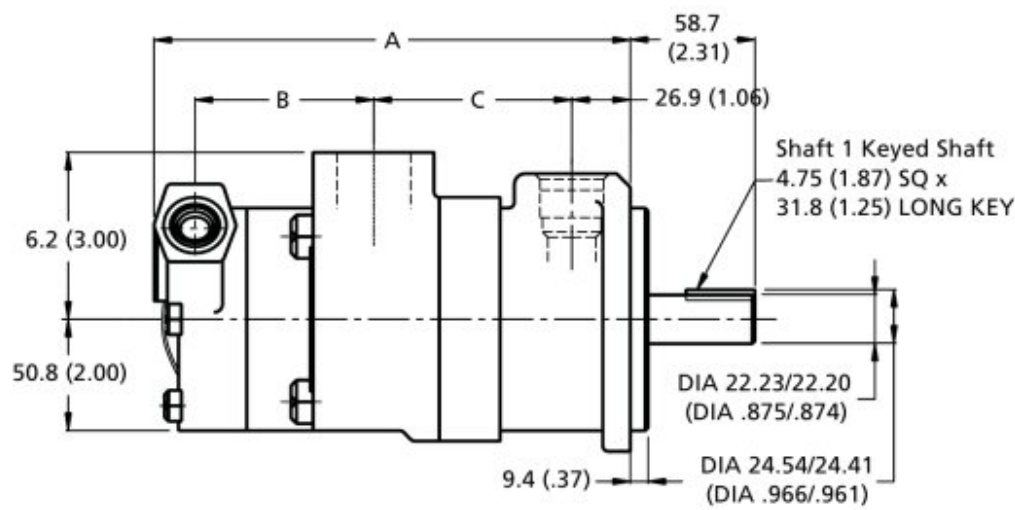
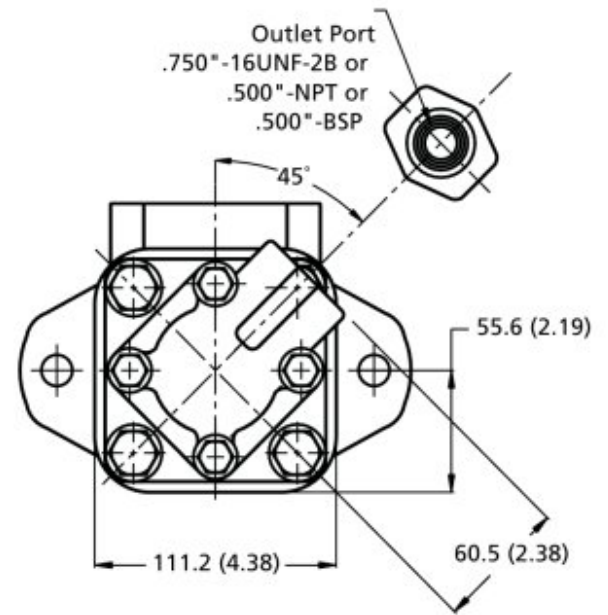
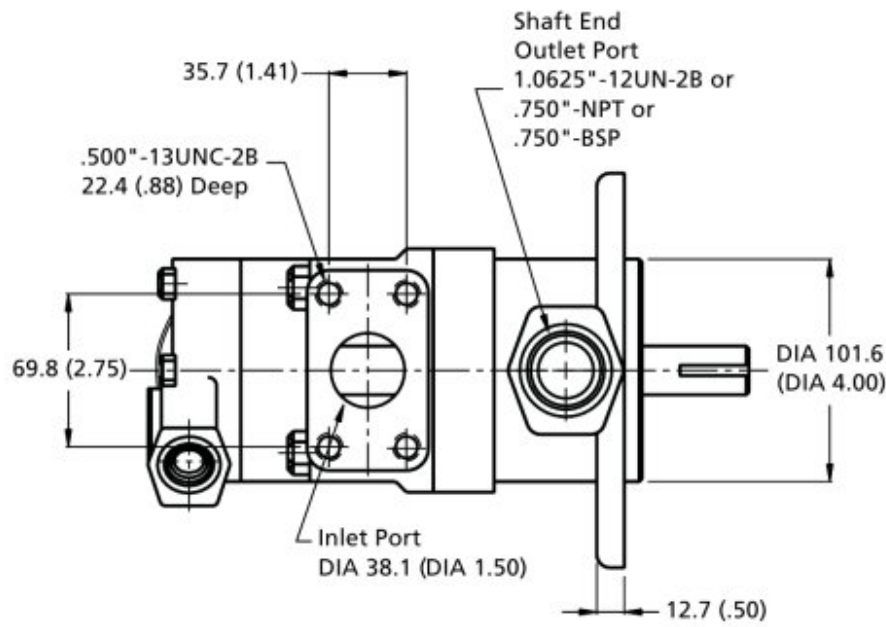


DOUBLE VANE PUMPS VC2010

DATA SHEET



Delivery @ 1200 rpm & 7 bar (100 psi)		Dimension		
Shaft End	Cover End	A	B	C
7, 8, 9	1, 2, 3	213.1 (8.39)	75.9 (2.99)	86.4 (3.40)
7, 8, 9	4, 5	219.5 (8.64)	82.3 (3.24)	86.4 (3.40)
7, 8, 9	6, 7	224.5 (8.84)	87.4 (3.44)	86.4 (3.40)
10, 11	1, 2, 3	218.2 (8.59)	75.9 (2.99)	91.2 (3.59)
10, 11	4, 5	224.5 (8.84)	82.3 (3.24)	91.2 (3.59)
10, 11	6, 7	229.6 (9.04)	87.4 (3.44)	91.2 (3.59)
12, 13	1, 2, 3	221.7 (8.73)	75.9 (2.99)	94.7 (3.73)
12, 13	4, 5	227.8 (8.97)	82.3 (3.24)	94.7 (3.73)
12, 13	6, 7	232.9 (9.17)	87.4 (3.44)	94.7 (3.73)