

# 44/54

(sidewalls 440 mm h x 540 mm w)

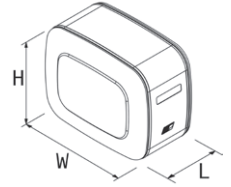
Mounting kit available for:



Materials available:



Aluminium Painted Steel  
RAL 7021



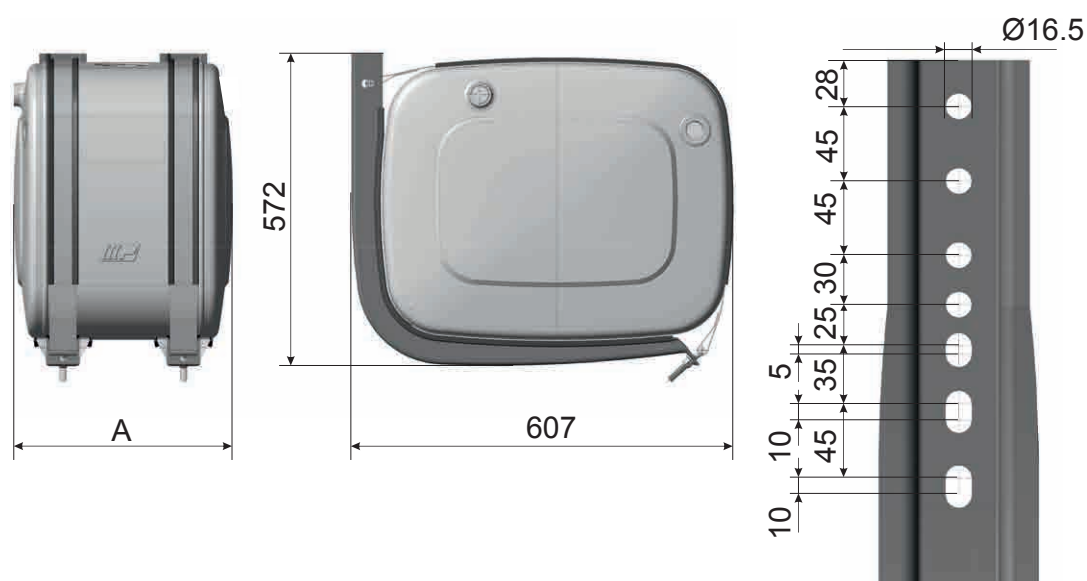
Products range	LT*	Features included	Filter flange code	Dimensions (only tank) L x H x W	Material	Product code NSOA: Aluminium NSOF: Painted steel	Mounting kit code 	Mounting kit code 
Multi Function (MF)	60-70	<ul style="list-style-type: none"> <li>- level gauge 127mm</li> <li>- suction connection 1"1/4</li> <li>- return connection 1"</li> <li>- air breather cap h 41mm</li> <li>- adjustable ball valve 1" 1/4</li> </ul>	135	350 x 440 x 540	A/F	-0070035MF00		
	80	<ul style="list-style-type: none"> <li>- spy eye 1"</li> <li>- suction connection 1"1/4</li> <li>- return connection 1"</li> </ul>		400 x 440 x 540	A/F	-0080040MF00		
	90	<ul style="list-style-type: none"> <li>- air breather cap h 41mm</li> <li>- adjustable ball valve 1" 1/4</li> </ul>		450 x 440 x 540	A/F	-0090045MF00		

\* Full tank capacity

## 44/54 SIDE MOUNTING

### Mounting specifics

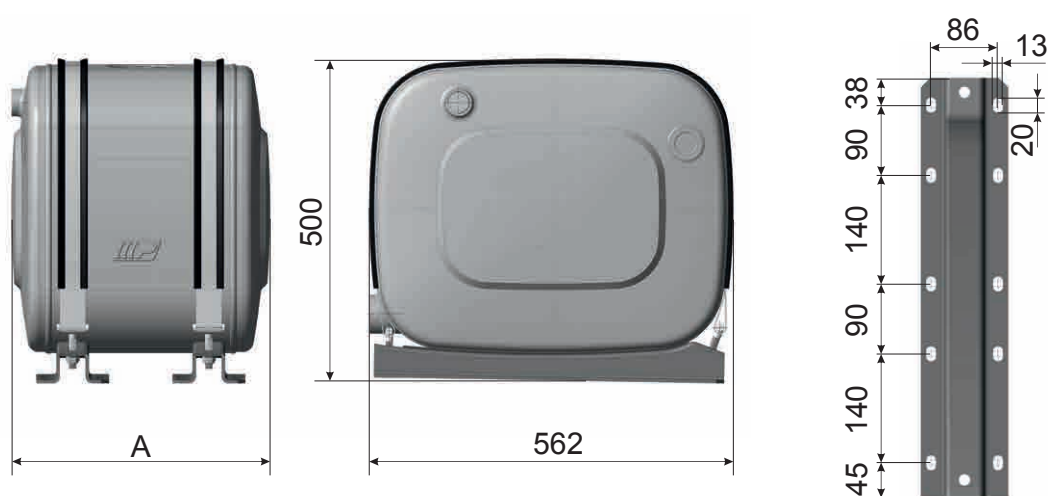
A	Level indicator capacity
(mm)	(l)
350	057-042
400	060
450	067



## 44/54 REAR MOUNTING

### Mounting specifics

A	Level indicator capacity
(mm)	(l)
350	057-042
400	060
450	067



## ACCESSORIES

### Semi-immersed Return Filters



Filter Flange	l/min flow	Micron $\mu\text{m}$	Inlet Connection	Product Code	Spare Parts-Cartridge
135	250 l/min	40 $\mu\text{m}$ microfibre	1"1/4	AFO0SEM136125CF	AFO0ELF205070CF
	200 l/min	21 $\mu\text{m}$ microfibre	1"1/4	AFO0SEM136125F2	AFO0ELF205070F2
	150 l/min	10 $\mu\text{m}$ paper	1"1/4	AFO0SEM136125C1	AFO0ELF205070C1

### \* Immersed Return Filters for Easy Kit



Filter Flange	l/min flow	Micron $\mu\text{m}$	Inlet Connection	Product Code	Spare Parts-Cartridge
135	250 l/min	40 $\mu\text{m}$ microfibre	/	AFO0IMM090340CF	AFO0ELF205070CF
	200 l/min	21 $\mu\text{m}$ microfibre	/	AFO0IMM090340F2	AFO0ELF205070F2
	150 l/min	10 $\mu\text{m}$ paper	/	AFO0IMM090340C1	AFO0ELF205070C1

\* Customized valve plates are available on request according to your tipping valve hole layout.

### Immersed Easy Filters



Filter Flange	l/min flow	Micron $\mu\text{m}$	Inlet Connection	Product Code	Spare Parts-Cartridge
135	220 l/min	40 $\mu\text{m}$ microfibre	1"	AFO0IMM134100CF	AFO0ELF205070CF
	180 l/min	21 $\mu\text{m}$ microfibre	1"	AFO0IMM134100F2	AFO0ELF205070F2
	150 l/min	10 $\mu\text{m}$ paper	1"	AFO0IMM134100C1	AFO0ELF205070C1

### Filter's clogging visual indicator



Products Range	Description	Specifics	Product Code	Spare Parts
Oil tanks	Filter's clogging visual indicator	R 1/8" - EN 10226	AII0MPF195VSR42	/

## ACCESSORIES

### Aluminium cover with return connection and pipe for all tanks with filter flange 135



Products Range	Description	Specifics	Product Code	Spare Parts
Oil tanks	Aluminium cover 160mm	1" return connection and pipe	ACFA1604F010027	/

### Air breather caps



Products Range	Description	Specifics	Product Code	Spare Parts-Cartridge
MF	Air breather cap with air filter, fixing screws and anti-splash	h 41 mm - air cartridge paper 10 µm	ATPOPLSCAR0LI20	AFA0CARCILT0P20

### Level indicators



Products Range	Description	Specifics	Product Code	Spare Parts
MF	round aluminium level gauge	1"	AIL0ROTLIQ100AL	/



MF (44/54 60-70lt)	sight level gauge	not graduated - 127 mm distance between centers (M12)	AIL0VISLIQ12701	/
--------------------	-------------------	--	-----------------	---

\* not included in the standard tank

## ACCESSORIES

### Adjustable ball valves



Products Range	Description	Specifics	Product Code	Spare Parts
Oil tanks	adjustable ball valve MF with lever	1"1/4	ARU0ABV12500100	/

### Pipe fittings



Products Range	Description	Specifics	Product Code	Spare Parts
Oil tanks	straight pipe fitting, Ø40mm HOSE, inox band and sealing	1"1/4	ARA0PDNPGM12500	/
	90° adjustable pipe fitting, Ø40mm HOSE connection, inox band and sealing	1"1/4	ARA0PDNPGM12550	/

### Adjustable fittings



Products Range	Description	Specifics	Product Code	Spare Parts
Oil tanks	90° adjustable fitting M/F	1"1/4	ARA0PDNFLT12550	/