

código code



Toma de Fuerza Power Take Off's

FULLER

DOS SALIDAS INDEPENDIENTES
TWO INDEPENDENT OUTPUTS

Eaton

Inferior Neumático
Bottom Pneumatic

Descripción Description



Toma de fuerza 2 salidas independientes y varias relaciones internas. Accionamiento neumático y diferentes tipos de salida. ISO 4 Tal, SAE B, SAE C, etc.

2 independent outputs pto with diferent internal ratios pneumatic shifting and with diferent outputs. ISO 4 bolt, SAE B 2/4 bolt, SAE C 4 bolt, etc.

Datos Principales (Salida 1) Main Data (Output 1)

Par nominal Torque (Nm)	Continuo Continuous	400
	Intermitente Intermittent	570
Potencia (Cv) a 1000 r.p.m. Power (HP) 1000 r.p.m	57 C.V // 42 Kw	
Sentido de giro de la bomba Pump rotation	Izquierdo Left	
Relación motor - Toma de Fuerza Engine to PTO ratio	Anexo 1 Attached 1	

Datos Principales (Salida 2) Main Data (Output 2)

Par nominal Torque (Nm)	Continuo Continuous	400
	Intermitente Intermittent	570
Potencia (Cv) a 1000 r.p.m. Power (HP) 1000 r.p.m	57 C.V // 42 Kw	
Sentido de giro de la bomba Pump rotation	Izquierdo Left	
Relación motor - Toma de Fuerza Engine to PTO ratio	Anexo 2 Attached 2	

Datos Principales Main Data

Par máx. continuo en ambas salidas conjuntas Max. continuous torque for both outputs	600 Nm
Máx. potencia @ 1000 r.p.m. en ambas salidas conjuntas Max. power @ 1000 r.p.m. for both outputs	85 C.V. // 63 Kw
Lado de montaje Mounting position	Inferior Bottom
Peso Weight (Kg)	34

código code



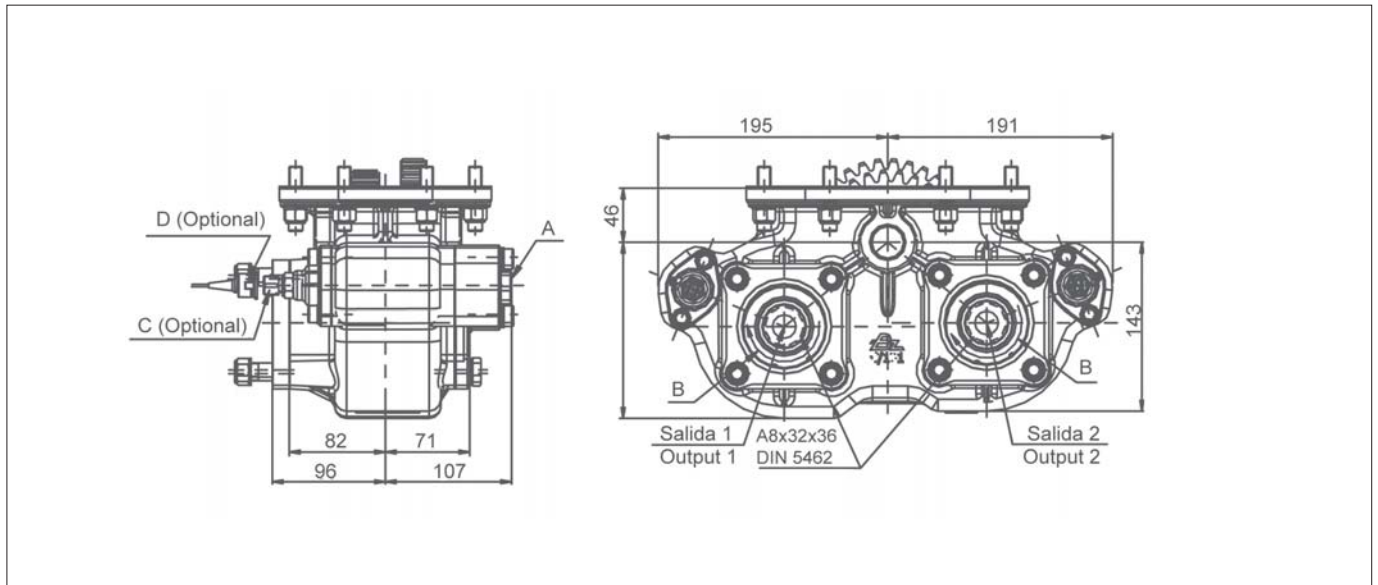
Toma de Fuerza Power Take Off's

FULLER

DOS SALIDAS INDEPENDIENTES
TWO INDEPENDENT OUTPUTS

Eaton

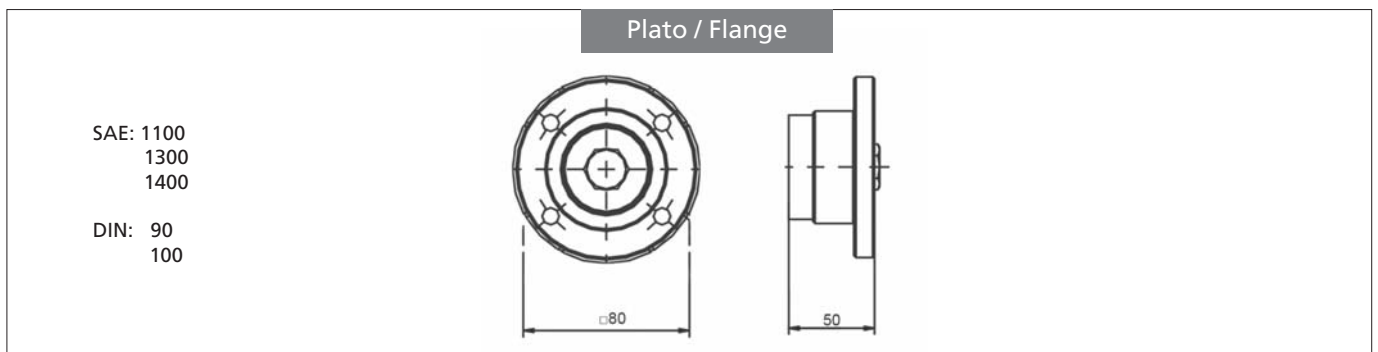
Inferior Neumático
Bottom Pneumatic



Notas Notes

A	Toma de aire, 1/4" GAS	A	Engage PTO, thread 1/4" BSP
B	Sentido de giro	B	Rotation
C	Indicador de funcionamiento. (100070001)	C	Passing contact switch. P/N 100070001
D	Conector con 3m de cable (906599)	D	Connector with 3m. of cable. P/N 906599

Tipos de Salida Output Types



código code

1212350BC

Toma de Fuerza Power Take Off's

FULLER

DOS SALIDAS INDEPENDIENTES
TWO INDEPENDENT OUTPUTS

Eaton

Inferior Neumático
Bottom Pneumatic

CAJA GEARBOX	RELACIÓN RATIO	
	1(64%)	2(70%)
RT509	0,679	0,753
RT510	0,679	0,753
RT609	0,679	0,753
RTO609	0,844	0,934
RT610	0,679	0,753
RT613	0,679	0,753
RTO613	0,844	0,934
T905G	0,936	1,036
RT906	0,936	1,036
RT906A	0,936	1,036
RTF906	0,936	1,036
RTF906A	0,936	1,036
RT909	0,936	1,036
RT909A	0,936	1,036
RTF909	0,936	1,036
RTF909A	0,936	1,036
RTO909A	1,264	1,400
RTO909B	1,264	1,400
RTOF909A	1,264	1,400
RTOF909B	1,264	1,400
RT910	0,936	1,036
RTF910	0,936	1,036
RTO910	1,158	1,283
RT913	0,936	1,036
RTF913	0,936	1,036
RTO913	0,936	1,036
RTO913A	0,936	1,036
RTOF913	0,936	1,036
RT915	0,936	1,036
RTF915	0,936	1,036
RTO915	1,158	1,283
T955GL	0,936	1,036
RT958LL	1,264	1,400
RTO958LL	1,264	1,400
RT1110	0,936	1,036
RTO1110	1,188	1,315
RTO1213	0,936	1,036
RTO1258LL	1,264	1,400
TA4510	0,936	1,036
RT6609	0,675	0,747
RTO6609	0,844	0,934
RTX6609	0,844	0,935
RTOX6609	0,844	0,934

CAJA GEARBOX	RELACIÓN RATIO	
	1(64%)	2(70%)
RT6610	0,675	0,747
RTO6610	0,844	0,934
RT6613	0,675	0,747
RTO6613	0,844	0,935
RT7609	0,679	0,753
RTO7609	0,897	0,992
RTX7609	0,897	0,992
TA7610	0,936	1,036
RT7613	0,675	0,747
RTO7613	0,675	0,747
RT8608L	0,756	0,838
RT9509A	0,936	1,036
RT9509C	0,936	1,036
RTF9509A	0,936	1,036
RTO9509A	1,261	1,397
RTO9509B	1,055	1,167
RTOF9509A	1,261	1,397
RTOF9509B	1,055	1,167
MRT09509A	1,261	1,397
MRT09509B	1,055	1,167
RT9513	0,936	1,036
RTF9513	0,936	1,036
RTO9513	0,936	1,036
RTOF9513	0,936	1,036
MRT9513	0,936	1,036
MRT09513	0,936	1,036
RTO09513	1,055	1,167
RT11509	0,936	1,036
RTO11509	1,261	1,397
RT11608	0,768	0,851
RTO11608LL	1,252	1,386
RT11609A	0,936	1,036
RTF11609A	0,936	1,036
RTO11609A	1,252	1,386
RTO11609B	1,055	1,167
RTX11609A	1,252	1,386
RTX11609B	1,030	1,140
RTOF11609A	1,252	1,386
RTOF11609B	1,055	1,167
RTOX11609A	1,252	1,386
MRT11609	0,936	1,036
RT11610	0,936	1,036
RTO11610	1,183	1,310

CAJA GEARBOX	RELACIÓN RATIO	
	1(64%)	2(70%)
RT11613	0,936	1,036
RT11613C	0,936	1,036
RTF11613	0,936	1,036
RTO11613	0,936	1,036
RTOF11613	0,936	1,036
RTOO11613	1,055	1,167
RTOOF11613	1,055	1,167
RTOOX11613	1,055	1,167
RTX11613B	1,252	1,386
RT11615	0,936	1,036
RTO11615	1,183	1,310
RTOX11708LL	1,261	1,397
RT11709H	0,912	1,009
RTX11709B	1,055	1,167
RT11710B	0,936	1,036
RT11715	0,936	1,036
RTO11715	1,183	1,310
RT12509	0,936	1,036
RTF12509	0,936	1,036
RTO12509	1,264	1,400
RTOF12509	1,264	1,400
RT12510	0,936	1,036
RTO12510	1,188	1,315
RTF12510	0,936	1,036
RTOF12510	1,188	1,315
RT12513	0,936	1,036
RTO12513	0,936	1,036
RT12515	0,936	1,036
RTF12515	0,936	1,036
RTO12515	0,936	1,036
RT12609A	0,936	1,036
RTO12609A	1,261	1,397
RTO12609B	1,055	1,167
RT12610	0,936	1,036
RT12709H	0,912	1,009
RT12710B	0,936	1,036
RTO12710B	1,252	1,386
RTX12710B	1,252	1,386
RT13710B	0,936	1,036
RT14608	0,768	0,851
RTO14608LL	1,252	1,386
RT14609A	0,936	1,036
RTF14609A	0,936	1,036

CAJA GEARBOX	RELACIÓN RATIO	
	1(64%)	2(70%)
RTO14609A	1,252	1,386
RTO14609B	1,055	1,167
RTX14609A	1,252	1,386
RTX14609B	1,030	1,140
RTOF14609A	1,252	1,386
RTOF14609B	1,055	1,167
RTOX14609B	1,055	1,167
RT14610	0,936	1,036
RTO14610	1,183	1,310
RT14613	0,936	1,036
RT14613B	0,936	1,036
RTF14613	0,936	1,036
RTLO14613B	0,936	1,036
RTO14613	0,936	1,036
RTOF14613	0,936	1,036
RTOO14613	1,055	1,167
RTOOF14613	1,055	1,167
RTOOX14613	1,055	1,167
RT14615	0,936	1,036
RTO14615	1,183	1,310
RTX14615	1,183	1,310
RTLOF14618A	0,936	1,036
RTOX14708LL	1,261	1,397
RT14710B	0,936	1,036
RTO14710B	1,252	1,386
RT14715	0,936	1,036
RTO14715	1,183	1,310
RTX14715	1,183	1,310
RTLO14718B	1,055	1,167
RT15613	0,936	1,036
RT15613A	0,936	1,036
RT15613B	0,936	1,036
RTO15613	0,936	1,036
RTO15613A	0,936	1,036
RTO15613B	0,936	1,036
RT15615	1,055	1,167
RTO15615	0,936	1,036
RTO15618	0,936	1,036
RT15715	0,936	1,036
RTO15715	1,183	1,310
RTLO16618A	0,936	1,036
RTLO16718B	1,055	1,167
RTLO18718B	1,055	1,167



código code

1212350CE

Toma de Fuerza Power Take Off's

FULLER

DOS SALIDAS INDEPENDIENTES
TWO INDEPENDENT OUTPUTS

Eaton

Inferior Neumático
Bottom Pneumatic

CAJA GEARBOX	RELACIÓN RATIO	
	1(75%)	2(80%)
RT509	0,796	0,860
RT510	0,796	0,860
RT609	0,796	0,860
RTO609	0,989	1,067
RT610	0,796	0,860
RT613	0,796	0,860
RTO613	0,989	1,067
T905G	1,097	1,184
RT906	1,097	1,184
RT906A	1,097	1,184
RTF906	1,097	1,184
RTF906A	1,097	1,184
RT909	1,097	1,184
RT909A	1,097	1,184
RTF909	1,097	1,184
RTF909A	1,097	1,184
RTO909A	1,481	1,600
RTO909B	1,481	1,600
RTOF909A	1,481	1,600
RTOF909B	1,481	1,600
RT910	1,097	1,184
RTF910	1,097	1,184
RTO910	1,357	1,466
RT913	1,097	1,184
RTF913	1,097	1,184
RTO913	1,097	1,184
RTO913A	1,097	1,184
RTOF913	1,097	1,184
RT915	1,097	1,184
RTF915	1,097	1,184
RTO915	1,357	1,466
T955GL	1,097	1,184
RT958LL	1,481	1,600
RTO958LL	1,481	1,600
RT1110	1,097	1,184
RTO1110	1,392	1,503
RTO1213	1,097	1,184
RTO1258LL	1,481	1,600
TA4510	1,097	1,184
RT6609	0,791	0,854
RTO6609	0,989	1,067
RTX6609	0,989	1,068
RTOX6609	0,989	1,067

CAJA GEARBOX	RELACIÓN RATIO	
	1(75%)	2(80%)
RT6610	0,791	0,854
RTO6610	0,989	1,067
RT6613	0,791	0,854
RTO6613	0,989	1,068
RT7609	0,796	0,860
RTO7609	1,051	1,134
RTX7609	1,051	1,134
TA7610	1,097	1,184
RT7613	0,791	0,854
RTO7613	0,791	0,854
RT8608L	0,886	0,957
RT9509A	1,097	1,184
RT9509C	1,097	1,184
RTF9509A	1,097	1,184
RTO9509A	1,478	1,596
RTO9509B	1,236	1,334
RTOF9509A	1,478	1,596
RTOF9509B	1,236	1,334
MRT09509A	1,478	1,596
MRT09509B	1,236	1,334
RT9513	1,097	1,184
RTF9513	1,097	1,184
RTO9513	1,097	1,184
RTOF9513	1,097	1,184
MRT9513	1,097	1,184
MRT09513	1,097	1,184
RTO09513	1,236	1,334
RT11509	1,097	1,184
RTO11509	1,478	1,596
RT11608	0,900	0,972
RTO11608LL	1,467	1,584
RT11609A	1,097	1,184
RTF11609A	1,097	1,184
RTO11609A	1,467	1,584
RTO11609B	1,236	1,334
RTX11609A	1,467	1,584
RTX11609B	1,207	1,302
RTOF11609A	1,467	1,584
RTOF11609B	1,236	1,334
RTOX11609A	1,467	1,584
MRT11609	1,097	1,184
RT11610	1,097	1,184
RTO11610	1,386	1,497

CAJA GEARBOX	RELACIÓN RATIO	
	1(75%)	2(80%)
RT11613	1,097	1,184
RT11613C	1,097	1,184
RTF11613	1,097	1,184
RTO11613	1,097	1,184
RTOF11613	1,097	1,184
RTOO11613	1,236	1,334
RTOOF11613	1,236	1,334
RTOOX11613	1,236	1,334
RTX11613B	1,467	1,584
RT11615	1,097	1,184
RTO11615	1,386	1,497
RTOX11708LL	1,478	1,596
RT11709H	1,068	1,153
RTX11709B	1,236	1,334
RT11710B	1,097	1,184
RT11715	1,097	1,184
RTO11715	1,386	1,497
RT12509	1,097	1,184
RTF12509	1,097	1,184
RTO12509	1,481	1,600
RTOF12509	1,481	1,600
RT12510	0,097	1,184
RTO12510	1,392	1,503
RTF12510	1,097	1,184
RTOF12510	1,392	1,503
RT12513	1,097	1,184
RTO12513	1,097	1,184
RT12515	1,097	1,184
RTF12515	1,097	1,184
RTO12515	1,097	1,184
RT12609A	1,097	1,184
RTO12609A	1,478	1,596
RTO12609B	1,236	1,334
RT12610	1,097	1,184
RT12709H	1,068	1,153
RT12710B	1,097	1,184
RTO12710B	1,467	1,584
RTX12710B	1,467	1,584
RT13710B	1,097	1,184
RT14608	0,900	0,972
RTO14608LL	1,467	1,584
RT14609A	1,097	1,184
RTF14609A	1,097	1,184

CAJA GEARBOX	RELACIÓN RATIO	
	1(75%)	2(80%)
RTO14609A	1,467	1,584
RTO14609B	1,236	1,334
RTX14609A	1,467	1,584
RTX14609B	1,207	1,302
RTOF14609A	1,467	1,584
RTOF14609B	1,236	1,334
RTOX14609B	1,236	1,334
RT14610	1,097	1,184
RTO14610	1,386	1,497
RT14613	1,097	1,184
RT14613B	1,097	1,184
RTF14613	1,097	1,184
RTLO14613B	1,097	1,184
RTO14613	1,097	1,184
RTOF14613	1,097	1,184
RTOO14613	1,236	1,334
RTOOF14613	1,236	1,334
RTOOX14613	1,236	1,334
RT14615	1,097	1,184
RTO14615	1,386	1,497
RTX14615	1,386	1,497
RTLOF14618A	1,097	1,184
RTOX14708LL	1,478	1,596
RT14710B	1,097	1,184
RTO14710B	1,467	1,584
RT14715	1,097	1,184
RTO14715	1,386	1,497
RTX14715	1,386	1,497
RTLO14718B	1,236	1,334
RT15613	1,097	1,184
RT15613A	1,097	1,184
RT15613B	1,097	1,184
RTO15613	1,097	1,184
RTO15613A	1,097	1,184
RTO15613B	1,097	1,184
RT15615	1,236	1,334
RTO15615	1,097	1,184
RTO15618	1,097	1,184
RT15715	1,097	1,184
RTO15715	1,386	1,497
RTLO16618A	1,097	1,184
RTLO16718B	1,236	1,334
RTLO18718B	1,236	1,334



código code

1212350EJ

Toma de Fuerza Power Take Off's

FULLER

DOS SALIDAS INDEPENDIENTES
TWO INDEPENDENT OUTPUTS

Eaton

Inferior Neumático
Bottom Pneumatic

CAJA GEARBOX	RELACIÓN RATIO	
	1(86%)	2(95%)
RT509	0,913	1,021
RT510	0,913	1,021
RT609	0,913	1,021
RTO609	1,134	1,267
RT610	0,913	1,021
RT613	0,913	1,021
RTO613	1,134	1,267
T905G	1,258	1,406
RT906	1,258	1,406
RT906A	1,258	1,406
RTF906	1,258	1,406
RTF906A	1,258	1,406
RT909	1,258	1,406
RT909A	1,258	1,406
RTF909	1,258	1,406
RTF909A	1,258	1,406
RTO909A	1,698	1,900
RTO909B	1,698	1,900
RTOF909A	1,698	1,900
RTOF909B	1,698	1,900
RT910	1,258	1,406
RTF910	1,258	1,406
RTO910	1,556	1,741
RT913	1,258	1,406
RTF913	1,258	1,406
RTO913	1,258	1,406
RTO913A	1,258	1,406
RTOF913	1,258	1,406
RT915	1,258	1,406
RTF915	1,258	1,406
RTO915	1,556	1,741
T955GL	1,258	1,406
RT958LL	1,698	1,900
RTO958LL	1,698	1,900
RT1110	1,258	1,406
RTO1110	1,596	1,785
RTO1213	1,258	1,406
RTO1258LL	1,698	1,900
TA4510	1,258	1,406
RT6609	0,907	1,014
RTO6609	1,134	1,267
RTX6609	1,134	1,268
RTOX6609	1,134	1,267

CAJA GEARBOX	RELACIÓN RATIO	
	1(86%)	2(95%)
RT6610	0,907	1,014
RTO6610	1,134	1,267
RT6613	0,907	1,014
RTO6613	1,134	1,268
RT7609	0,913	1,021
RTO7609	1,205	1,347
RTX7609	1,205	1,347
TA7610	1,258	1,406
RT7613	0,907	1,014
RTO7613	0,907	1,014
RT8608L	1,015	1,137
RT9509A	1,258	1,406
RT9509C	1,258	1,406
RTF9509A	1,258	1,406
RTO9509A	1,695	1,895
RTO9509B	1,417	1,584
RTOF9509A	1,695	1,895
RTOF9509B	1,417	1,584
MRT09509A	1,695	1,895
MRT09509B	1,417	1,584
RT9513	1,258	1,406
RTF9513	1,258	1,406
RTO9513	1,258	1,406
RTOF9513	1,258	1,406
MRT9513	1,258	1,406
MRT09513	1,258	1,406
RTO09513	1,417	1,584
RT11509	1,258	1,406
RTO11509	1,695	1,895
RT11608	1,032	1,154
RTO11608LL	1,682	1,881
RT11609A	1,258	1,406
RTF11609A	1,258	1,406
RTO11609A	1,682	1,881
RTO11609B	1,417	1,584
RTX11609A	1,682	1,881
RTX11609B	1,384	1,547
RTOF11609A	1,682	1,881
RTOF11609B	1,417	1,584
RTOX11609A	1,682	1,881
MRT11609	1,258	1,406
RT11610	1,258	1,406
RTO11610	1,589	1,778

CAJA GEARBOX	RELACIÓN RATIO	
	1(86%)	2(95%)
RT11613	1,258	1,406
RT11613C	1,258	1,406
RTF11613	1,258	1,406
RTO11613	1,258	1,406
RTOF11613	1,258	1,406
RTOO11613	1,417	1,584
RTOOF11613	1,417	1,584
RTOOX11613	1,417	1,584
RTX11613B	1,682	1,881
RT11615	1,258	1,406
RTO11615	1,589	1,778
RTOX11708LL	1,695	1,895
RT11709H	1,225	1,369
RTX11709B	1,417	1,584
RT11710B	1,258	1,406
RT11715	1,258	1,406
RTO11715	1,589	1,778
RT12509	1,258	1,406
RTF12509	1,258	1,406
RTO12509	1,698	1,900
RTOF12509	1,698	1,900
RT12510	1,258	1,406
RTO12510	1,596	1,785
RTF12510	1,258	1,406
RTOF12510	1,596	1,785
RT12513	1,258	1,406
RTO12513	1,258	1,406
RT12515	1,258	1,406
RTF12515	1,258	1,406
RTO12515	1,258	1,406
RT12609A	1,258	1,406
RTO12609A	1,695	1,895
RTO12609B	1,417	1,584
RT12610	1,258	1,406
RT12709H	1,225	1,369
RT12710B	1,258	1,406
RTO12710B	1,682	1,881
RTX12710B	1,682	1,881
RT13710B	1,258	1,406
RT14608	1,032	1,154
RTO14608LL	1,682	1,881
RT14609A	1,258	1,406
RTF14609A	1,258	1,406

CAJA GEARBOX	RELACIÓN RATIO	
	1(86%)	2(95%)
RTO14609A	1,682	1,881
RTO14609B	1,417	1,584
RTX14609A	1,682	1,881
RTX14609B	1,384	1,547
RTOF14609A	1,682	1,881
RTOF14609B	1,417	1,584
RTOX14609B	1,417	1,584
RT14610	1,258	1,406
RTO14610	1,589	1,778
RT14613	1,258	1,406
RT14613B	1,258	1,406
RTF14613	1,258	1,406
RTLO14613B	1,258	1,406
RTO14613	1,258	1,406
RTOF14613	1,258	1,406
RTOO14613	1,417	1,584
RTOOF14613	1,417	1,584
RTOOX14613	1,417	1,584
RT14615	1,258	1,406
RTO14615	1,589	1,778
RTX14615	1,589	1,778
RTLOF14618A	1,258	1,406
RTOX14708LL	1,695	1,895
RT14710B	1,258	1,406
RTO14710B	1,682	1,881
RT14715	1,258	1,406
RTO14715	1,589	1,778
RTX14715	1,589	1,778
RTLO14718B	1,417	1,584
RT15613	1,258	1,406
RT15613A	1,258	1,406
RT15613B	1,258	1,406
RTO15613	1,258	1,406
RTO15613A	1,258	1,406
RTO15613B	1,258	1,406
RT15615	1,417	1,584
RTO15615	1,258	1,406
RTO15618	1,258	1,406
RT15715	1,258	1,406
RTO15715	1,589	1,778
RTLO16618A	1,258	1,406
RTLO16718B	1,417	1,584
RTLO18718B	1,417	1,584

